

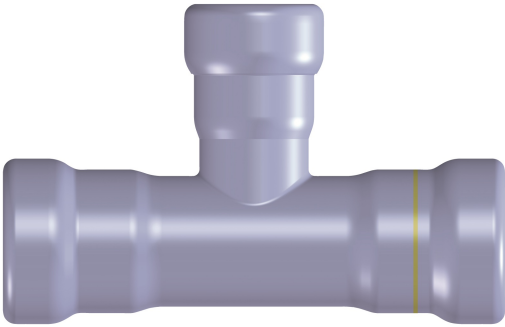


BONOMI
NORTH AMERICA

BONOMI
press
max
GAS

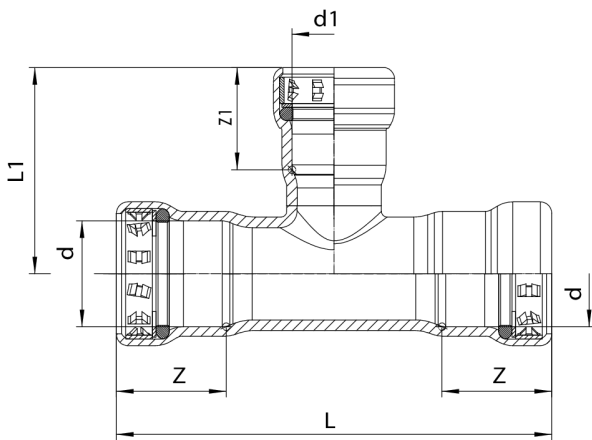
5L33

Carbon steel P/P/P reducing tee from 1/2" to 4".



NEW

Technical specifications



D X D X D1	L	Z	L1	Z1
1 1/2" x 1 1/2" x 1 1/4"	6.89	1.89	3.37	1.81
1 1/2" x 1 1/2" x 1"	6.89	1.89	2.83	1.34
1 1/2" x 1 1/2" x 1/2"	6.89	1.89	2.52	1.06
1 1/4" x 1 1/4" x 1"	6.46	1.81	2.70	1.34
1 1/4" x 1 1/4" x 1/2"	6.46	1.81	2.42	1.06
1" x 1" x 1/2"	5.16	1.34	2.28	1.06
1 1/2" x 1 1/2" x 3/4"	6.89	1.89	2.64	1.14
1 1/4" x 1 1/4" x 3/4"	6.46	1.81	2.56	1.14
1" x 1" x 3/4"	5.16	1.34	2.40	1.14
2" x 2" x 1 1/2"	7.60	1.97	3.72	1.89
2" x 2" x 1 1/4"	7.60	1.97	3.60	1.81
2" x 2" x 1"	7.60	1.97	3.11	1.34
2" x 2" x 1/2"	7.60	1.97	2.81	1.06
2" x 2" x 3/4"	7.60	1.97	2.95	1.14
3/4" x 3/4" x 1/2"	4.53	1.14	2.15	1.06