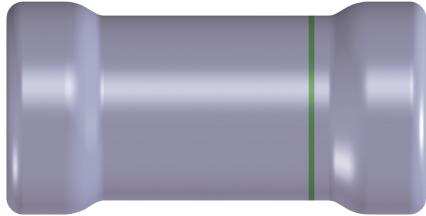




BONOMI
NORTH AMERICA

BONOMI
press
max

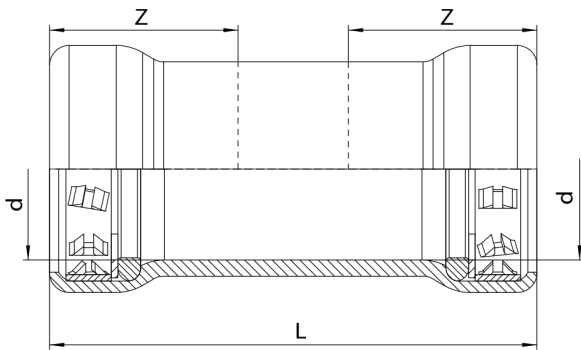
5M05



Carbon steel P/P slip coupling from 1/2" to 4".

NEW

Technical specifications



SIZE	L	Z
1/2"	2.72	1.06
3/4"	2.95	1.14
1"	3.29	1.34
1 1/4"	4.31	1.81
1 1/2"	4.63	1.89
2"	4.74	1.97

