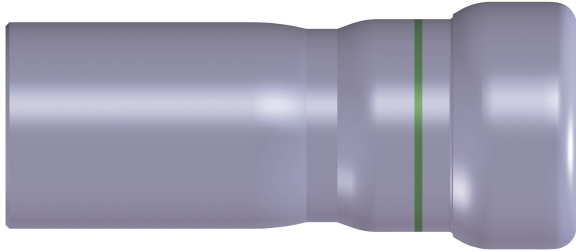




**BONOMI**  
NORTH AMERICA

**BONOMI**  
**press**  
**max**

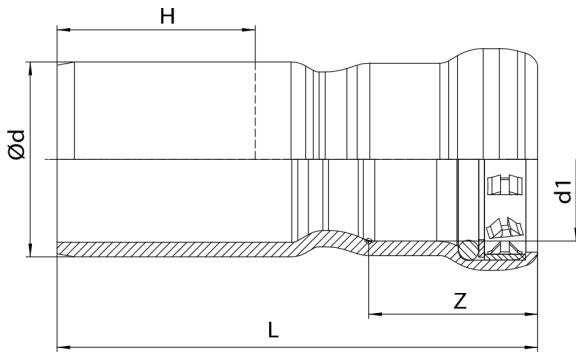
**5M04**



Carbon steel FTG/P reducer from 1/2" to 4".

**NEW**

## Technical specifications



<b>D X D1</b>	<b>L</b>	<b>H</b>	<b>Z</b>
1 1/2" x 1 1/4"	4.53	1.89	1.81
1 1/2" x 1"	4.15	1.89	1.34
1 1/4" x 1"	3.98	1.81	1.34
1" x 1/2"	3.21	1.34	1.06
1 1/2" x 3/4"	4.13	1.89	1.14
1" x 3/4"	3.25	1.34	1.14
2" x 1 1/2"	4.82	1.97	1.89
2" x 1 1/4"	4.82	1.97	1.81
2" x 1"	4.49	1.97	1.34
3/4" x 1/2"	2.85	1.14	1.06

