

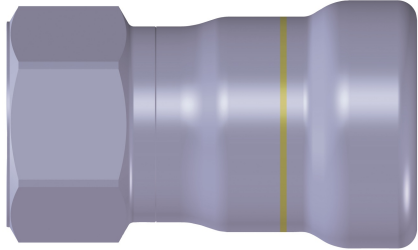


BONOMI
NORTH AMERICA

BONOMI
press
max

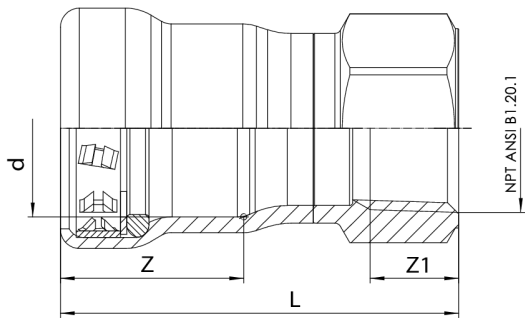
5M01

Carbon steel adapter FPT/P from 1/2" to 2".



NEW

Technical specifications



D X NPT	L	Z	Z1
1 1/2" x 1 1/2"	3.37	1.89	0.68
1 1/2" x 1"	3.72	1.89	0.66
1 1/4" x 1 1/4"	3.27	1.81	0.68
1 1/4" x 1"	3.33	1.81	0.66
1" x 1"	2.74	1.34	0.66
1" x 1/2"	2.91	1.34	0.54
1/2" x 1/2"	2.30	1.06	0.54
1 1/2" x 3/4"	3.70	1.89	0.55
1 1/4" x 3/4"	3.48	1.81	0.55
1" x 3/4"	2.68	1.34	0.55
2" x 2"	3.44	1.97	0.70
2" x 3/4"	4.07	1.97	0.55
3/4" x 1/2"	2.44	1.14	0.54
3/4" x 3/4"	2.48	1.14	4.49