

## AP64CS - AP64SS

### FLANGED BALL VALVES ANSI 150

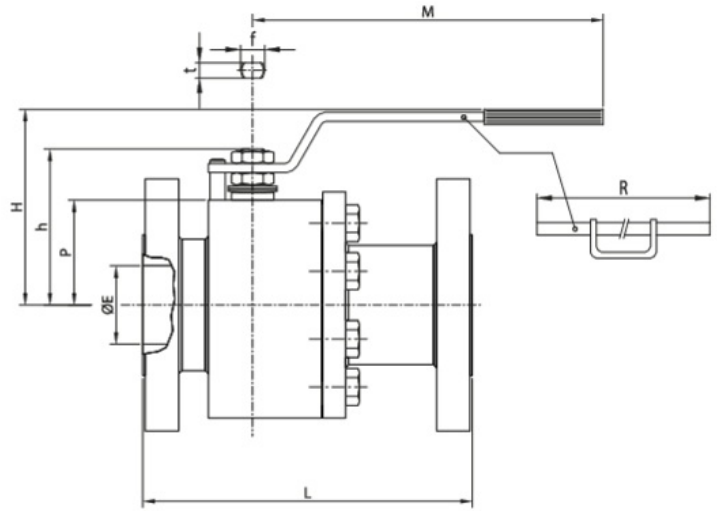
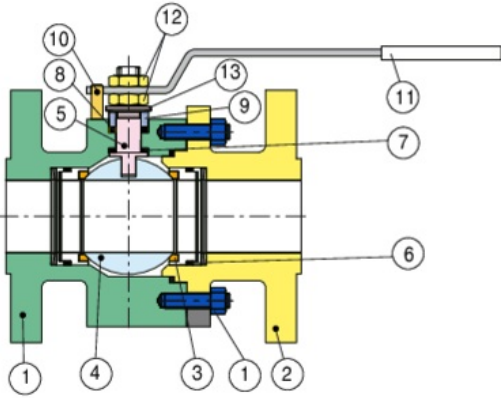
Metal seated floating ball valves, **bi-directional**.

- 2-piece bolted body from barstock
- Temperature range carbon steel valve: -20°F to +662°F.
- Temperature range stainless steel valve: -40°F to +662°F.
- Blow-out proof stem.
- PENTAFITE standard ball seats, other metal seats on request.
- For high temperature clean services.
- 100 mm stem elongation on request
- Adjustable, live-loaded graphite packing.
- API 598 inspection and testing.
- API 607 fire tested.
- Locking lever operator available on request.
- NACE MR01-75 compliant materials.

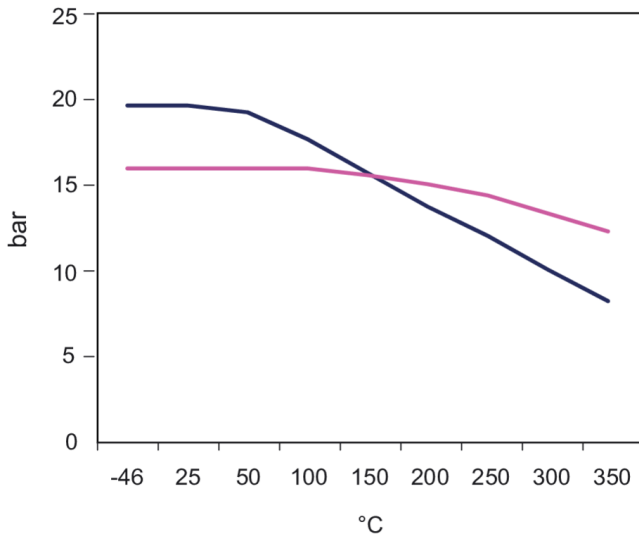
**NEW**

## Technical specifications

---



Ratings



POSITION	PART NAME	MATERIAL	N.° PIECES
1	BODY/CONNECTOR BOLTS	F316 - A105	1
2	END CAP	F316 - A105	1
3	SEAT	PENTAFITE-WC-ST6-CRC-LIVE LOADED PEEK	2
4	BALL	F316 - A105	1
4	BALL COATING	HARD CHROMIUM NITRIDES (HCR) HVOF TUNGSTEN CARBIDES (WC) HVOF STELLITE GR.6 (ST6) HVOF CHROME CARBIDES (CRC)	1
5	STEM	17-4 PH	1
6	SEAL BODY	GRAPHITE	1
7	PRIMARY STEM SEAL	GRAPHITE	1
8	SECONDARY STEM SEAL	GRAPHITE	1
9	GLAND BOLT	304 SST	1
10	STOP PLATE	304 SST	1
11	HANDLE	CARBON ST. - S.S.	1
12	STEM NUTS	A193-B8 - A193-B7	2
13	STEM SPRING 1	304SS	-

SIZE	E	L	H	H	P	M	R	F/T	S	ISO 5211	BREAK TORQUE IN-LBS PENTAFITE SEATS	CV	WEIGHT LBS
1/2"	0.55	4.25	2.52	2.05	1.3	5.71	-	0.39/0.24	0.21	F03	203	27	5.51
3/4"	0.75	4.62	2.6	2.17	1.42	5.71	-	0.39/0.24	0.21	F03	248	59	6.61
1"	0.94	5.50	3.35	2.76	1.69	7.09	-	0.47/0.31	0.33	F03	274	113	12.13
1 1/4"	1.14	5.50	3.54	2.87	1.89	7.09	-	0.47/0.31	0.33	F03	372	147	15.43
1 1/2"	1.49	6.50	4.65	3.78	2.48	10.83	-	0.63/0.39	0.37	F05	637	274	24.25
2"	2.00	7.00	5.04	4.06	2.7	10.83	-	0.63/0.39	0.41	F05	858	488	37.48
2 1/2"	2.51	7.50	5.47	4.8	3.23	14.96	-	0.86/0.55	0.51	F07	1380	835	48.5
3"	2.99	8.00	5.67	5.04	3.48	14.96	-	0.86/0.55	0.51	F07	1575	1200	57.32
4"	4.01	9.00	7.87	6.18	4.37	17.32	19.69	1.18/0.70	0.67	F10	2319	2139	105.82