



**BONOMI**  
NORTH AMERICA

**BONOMI**  
**press**

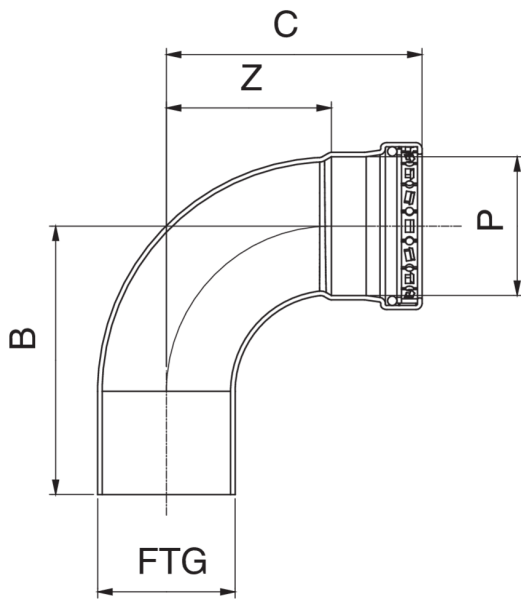
**5V1300**

Copper M/F 90° elbow.



**NEW**

## Technical specifications



| FTG X P         | BAG | MASTER BOX | PART NO. | B    | Z    | C    |
|-----------------|-----|------------|----------|------|------|------|
| 2 1/2" x 2 1/2" | 1   | 6          | 5V130012 | 5.12 | 3.15 | 4.88 |
| 3" x 3"         | 1   | 5          | 5V130014 | 6.02 | 3.74 | 5.71 |
| 4" x 4"         | 1   | 2          | 5V130018 | 7.52 | 4.96 | 7.36 |