



BONOMI
NORTH AMERICA

BONOMI
press

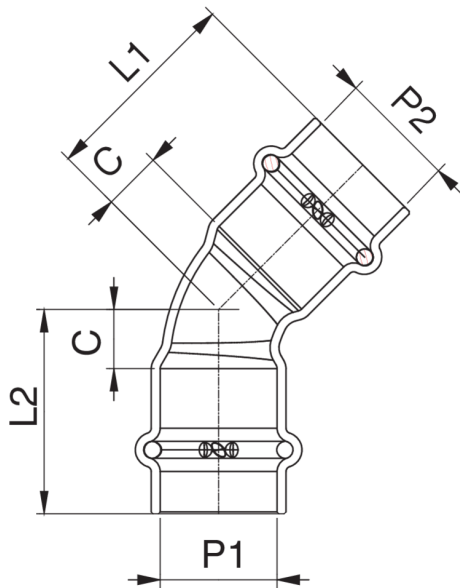
5V1400

Copper F/F 45° elbow.



NEW

Technical specifications



P1 X P2	BAG	MASTER BOX	PART NO.	C	L1	L2
1/2" x 1/2"	10	250	5V140004	0.31	1.06	1.06
1" x 1"	5	60	5V140006	0.46	1.36	1.36
1 1/4" x 1 1/4"	5	50	5V140007	0.57	1.59	1.59
1 1/2" x 1 1/2"	1	24	5V140008	0.67	2.09	2.09
2" x 2"	1	16	5V140010	0.88	2.46	2.46
3/4" x 3/4"	10	120	5V140005	0.36	1.26	1.26