

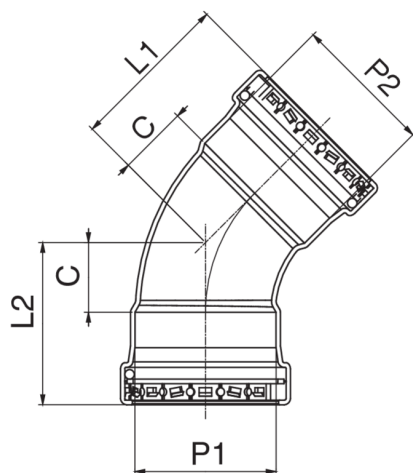
## 5V1400

Copper F/F 45° elbow.



**NEW**

### Technical specifications



| P1 X P2         | BAG | MASTER BOX | PART NO. | C    | L1   | L2   |
|-----------------|-----|------------|----------|------|------|------|
| 2 1/2" x 2 1/2" | 1   | 8          | 5V140012 | 1.30 | 3.03 | 3.03 |
| 3" x 3"         | 1   | 5          | 5V140014 | 1.57 | 3.54 | 3.54 |
| 4" x 4"         | 1   | 3          | 5V140018 | 2.05 | 4.45 | 4.45 |