

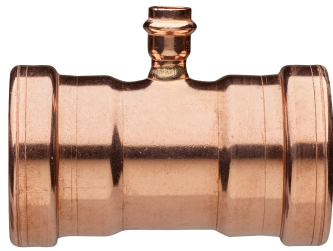


BONOMI
NORTH AMERICA

BONOMI
press

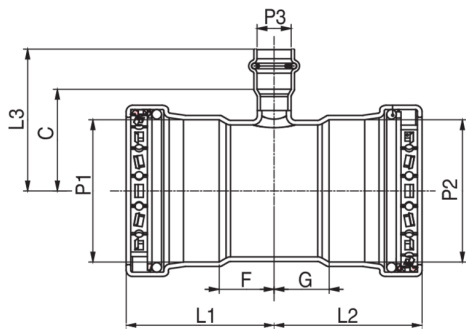
5V3300

Copper F/F/F reducing tee.



NEW

Technical specifications



P1 X P2 X P3	BAG	MASTER BOX	PART NO.	L1	F	L2	G	L3	C
2 1/2" x 2 1/2" x 1/2"	1	12	5V3300121204	2.76	1.02	2.76	1.02	2.64	1.89
2 1/2" x 2 1/2" x 1"	1	12	5V3300121206	2.76	1.02	2.76	1.02	2.80	1.89
2 1/2" x 2 1/2" x 1 1/4"	1	6	5V3300121207	3.23	1.50	3.23	1.50	2.91	1.89
2 1/2" x 2 1/2" x 1 1/2"	1	6	5V3300121208	3.23	1.50	3.23	1.50	3.31	1.89
2 1/2" x 2 1/2" x 2"	1	6	5V3300121210	3.23	1.50	3.23	1.50	3.46	1.89
2 1/2" x 2 1/2" x 3/4"	1	12	5V3300121205	2.76	1.02	2.76	1.02	2.80	1.89
3" x 3" x 1/2"	1	6	5V3300141404	3.03	1.06	3.03	1.06	2.87	2.13
3" x 3" x 1"	1	6	5V3300141406	3.03	1.06	3.03	1.06	3.03	2.13
3" x 3" x 1 1/4"	1	4	5V3300141407	3.54	1.57	3.54	1.57	3.15	2.13
3" x 3" x 1 1/2"	1	4	5V3300141408	3.54	1.57	3.54	1.57	3.54	2.13
3" x 3" x 2"	1	4	5V3300141410	3.54	1.57	3.54	1.57	3.70	2.13
3" x 3" x 3/4"	1	6	5V3300141405	3.03	1.06	3.03	1.06	3.03	2.13
4" x 4" x 1/2"	1	3	5V3300181804	3.46	1.06	3.46	1.06	3.35	2.60
4" x 4" x 1"	1	3	5V3300181806	3.46	1.06	3.46	1.06	3.50	2.60
4" x 4" x 1 1/2"	1	3	5V3300181808	3.98	1.57	3.98	1.57	4.02	2.60
4" x 4" x 2"	1	2	5V3300181810	3.98	1.57	3.98	1.57	4.17	2.60
4" x 4" x 3/4"	1	3	5V3300181805	3.46	1.06	3.46	1.06	3.50	2.60