



**BONOMI**  
NORTH AMERICA

**BONOMI**  
**press**

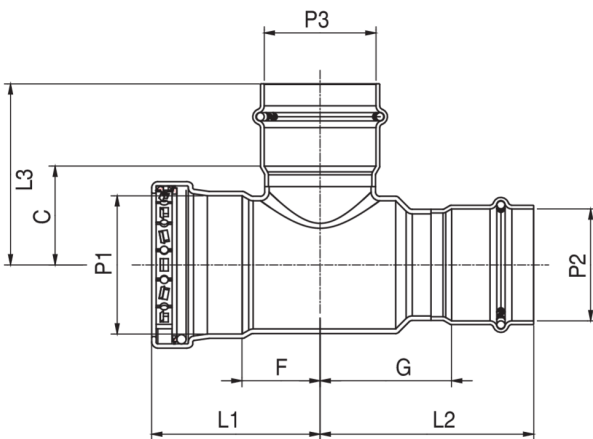
**5V3500**

Copper F/F/F reducing T with one of the two lateral ends larger than the others.



**NEW**

## Technical specifications



P1 X P2 X P3	BAG	MASTER BOX	PART NO.	L1	F	L2	G	L3	C
3" x 2" x 2"	1	3	5V3500141010	3.54	1.57	4.25	2.68	4.02	2.44

