



BONOMI
NORTH AMERICA

BONOMI
press

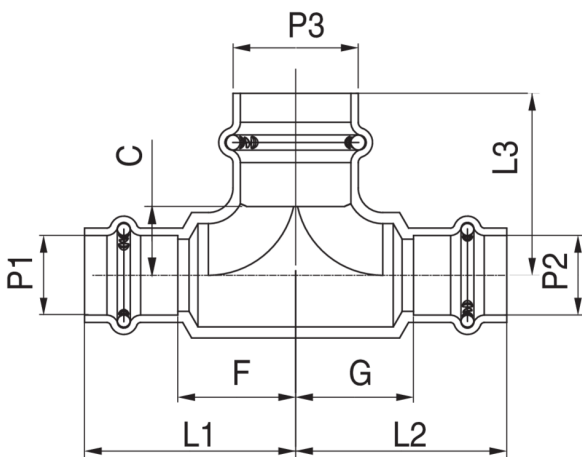
5V3600

Copper F/F/F reducing T with central end larger than the others.



NEW

Technical specifications



P1 X P2 X P3	BAG	MASTER BOX	PART NO.	L1	F	L2	G	L3	C
1/2" x 1/2" x 3/4"	5	100	5V3600040405	1.85	1.10	1.85	1.10	1.46	0.55

