



## N501S CF8M SS DISC

Manually operated Lug butterfly valves.

- Epoxy coated ductile iron (EN-GJS 400-15) Lug body.
- N501S - sizes 1-1/2" to 24".
- ISO 5211 direct mounting pad/square stem.
- Food grade EPDM resilient seat -30°F to +266°F.
- API 609 face to face flange.
- Floating dual shaft disc design
- Pressure rating: 250 psi: 1 1/2"-20" and 150 psi: 24".
- MSS SP 67 compliant.
- No pins in disc prevent potential leak points.
- NSF certified for drinking water service.

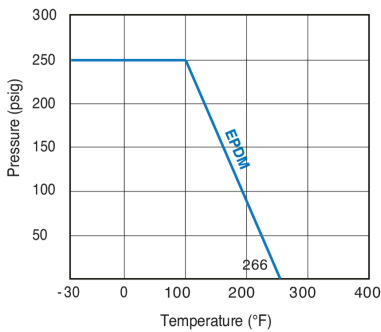
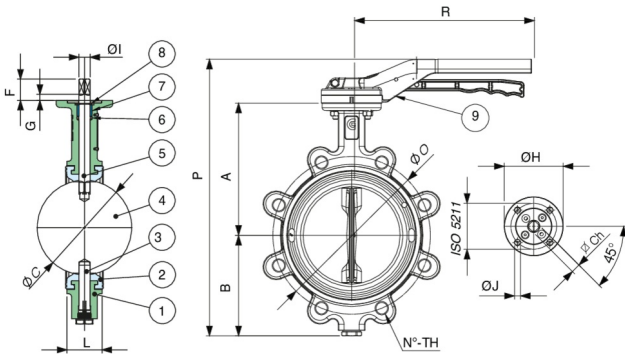
N501S: size 1 1/2" to 24".

531S: FKM SEATS - size 2" to 24".

541S: NBR SEATS - size 2" to 24".

**NEW**

### Technical specifications



POSITION	PART NAME	MATERIAL	N. <sup>o</sup> PIECES
1	BODY	DUCTILE IRON	1
2	SEAT	EPDM	1
3	LOWER SHAFT	A430F	1
4	DISC	ASTM A351-CF8M (A316)	1
5	UPPER SHAFT	A430F	1
6	O-RING	NBR	1
7	BUSHING	SINT BRONZE	1
8	STOP RING	SPRING STEEL	1
9	HANDLEVER	ALUMINIUM	1

SIZE	ISO 5211	ØCH	A	B	ØC	F	G	ØH	ØI	ØJ	L	N°-D	P	R	WEIGHT LBS	SEAT TORQUE 100 PSI	SEAT TORQUE 250 PSI	CV (GPM@ 1 PSI) 50% OP	CV (GPM@ 1 PSI) 100% OP
10"	F10	22 mm	10.63	8.66	9.84	1.50	0.39	4.92	1.18	0.43	2.68	12-7/8"-9	21.93	-	74.96	1549	2832	730.5	5191.8
12"	F10	22 mm	11.81	9.72	11.73	1.50	0.39	4.92	1.18	0.43	3.07	12-7/8"-9	24.17	-	108.03	2390	3452	1054.8	8169
14"	F12	27 mm	12.99	11.02	13.43	1.10	-	5.91	1.38	0.55	3.07	12-1"-8	26.65	-	136.69	3983	7523	1449.4	9337.7
16"	F12	27 mm	13.98	12.01	15.35	1.10	-	5.91	1.57	0.55	4.02	16-1"-8	28.62	-	198.42	4248	7966	1782.5	10871.9
18"	F14	36 mm	15.75	13.50	17.48	1.46	-	6.89	1.77	0.55	4.49	16-1 1/8"-7	31.89	-	374.79	4602	6373	2398.2	15063.3
1 1/2"	F07	11 mm	5.12	2.95	1.93	1.34	0.39	3.54	0.55	0.35	1.30	4-1/2"-13	10.71	8.66	10.58	97	124	20.4	104
2"	F07	11 mm	5.43	3.19	2.17	1.34	0.39	3.54	0.55	0.35	1.69	4-5/8"-11	11.26	8.66	12.13	106	133	31.8	134.9
20"	F14/16	36 mm	16.61	14.41	19.49	1.46	-	8.27	1.77	0.71/0.87	5.00	20-1 1/8"-7	33.66	-	396.83	5310	7169	2920	18313
24"	F16	46 mm	19.49	18.11	23.43	2.95	-	8.27	2.36	0.87	6.06	29-1 1/4"-8	40.24	-	639.34	17347	20357	4510	25473.2
2 1/2"	F07	11 mm	5.67	3.86	2.68	1.34	0.39	3.54	0.55	0.35	1.81	4-5/8"-11	12.17	8.66	15.65	142	159	48	254.2
3"	F07	11 mm	6.22	4.33	3.19	1.34	0.39	3.54	0.55	0.35	1.81	4-5/8"-11	13.19	8.66	17.42	266	354	72.6	431.5
4"	F07	11 mm	6.81	5.04	3.98	1.34	0.39	3.54	0.63	0.35	2.05	4-5/8"-11	14.49	8.66	21.83	381	425	109.1	689.5
5"	F07	14 mm	7.32	5.51	4.96	1.34	0.39	3.54	0.71	0.35	2.20	8-3/4"-10	15.47	10.83	25.90	460	620	173.2	1200
6"	F07	14 mm	7.95	6.10	5.91	1.34	0.39	3.54	0.71	0.35	2.20	8-3/4"-10	16.69	10.83	29.87	531	797	260.7	1756.1
8"	F10	17 mm	9.45	7.48	7.87	1.50	0.39	4.92	0.87	0.43	2.36	8-3/4"-10	19.57	-	59.52	947	1859	482.4	3105.2

\*10" and 24" available in bare stem version only.

**WARNING:** This product can expose you to chemicals including lead, which is known to the State of California to cause cancer and birth defects or other reproductive harm. For more information go to [www.p65warnings.ca.gov](http://www.p65warnings.ca.gov).

## Certifications



NSF

NSF/ANSI  
61, 302  
EPDM SEALS  
ONLY

NSF-ANSI