



GN500S CF8M SS DISC

Gear operated Wafer butterfly valves.

- Epoxy coated ductile iron (EN-GJS 400-15) Wafer body.
- GN500S - sizes 1-1/2" to 24".
- ISO 5211 direct mounting pad/square stem.
- Food grade EPDM resilient seat -30°F to +266°F.
- API 609 face to face flange.
- Floating dual shaft disc design.
- Pressure rating: 250 psi: 1 1/2"-20" and 150 psi: 24".
- MSS SP 67 compliant.
- No pins in disc prevent potential leak points.
- NSF certified for drinking water service.

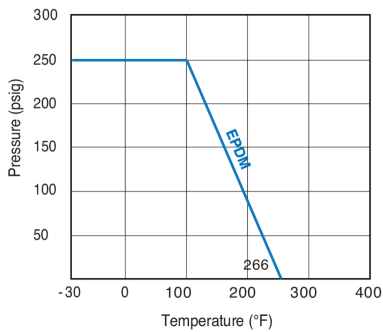
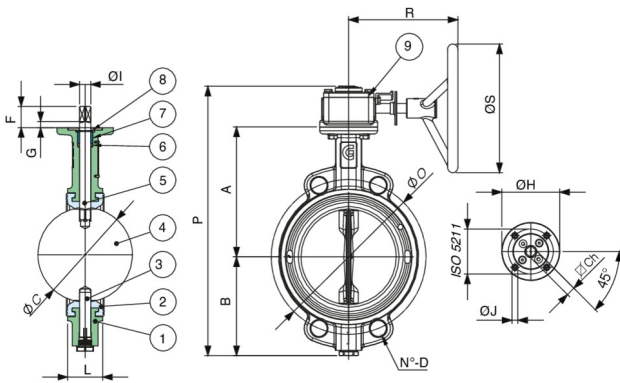
GN500S: size 1 1/2" to 24".

G530S: FKM SEATS - size 2" to 24".

G540S: NBR SEATS - size 2" to 24".

NEW

Technical specifications



| POSITION | PART NAME | MATERIAL | N. ^o PIECES |
|----------|-------------|-----------------------|------------------------|
| 1 | BODY | DUCTILE IRON | 1 |
| 2 | SEAT | EPDM | 1 |
| 3 | LOWER SHAFT | A430F | 1 |
| 4 | DISC | ASTM A351-CF8M (A316) | 1 |
| 5 | UPPER SHAFT | A430F | 1 |
| 6 | O-RING | NBR | 1 |
| 7 | BUSHING | SINT BRONZE | 1 |
| 8 | STOP RING | SPRING STEEL | 1 |
| 9 | GEAR | DUCTILE IRON | 1 |

| SIZE | ISO 5211 | ØCH | A | B | ØC | F | G | ØH | ØI | ØJ | L | N°-D | P | R | ØS | WEIGHT LBS | SEAT TORQUE 100 PSI | SEAT TORQUE 250 PSI | CV (GPM@ 1 PSI) 50% OP | CV (GPM@ 1 PSI) 100% OP |
|--------|----------|-------|-------|-------|-------|------|------|------|------|-----------|------|--------|-------|-------|-------|------------|---------------------|---------------------|------------------------|-------------------------|
| 10" | F10 | 22 mm | 10.63 | 8.66 | 9.84 | 1.50 | 0.39 | 4.92 | 1.18 | 0.43 | 2.68 | 4-1.10 | 21.87 | 7.05 | 7.87 | 56.44 | 1549 | 2832 | 730.5 | 5191.8 |
| 12" | F10 | 22 mm | 11.81 | 9.72 | 11.73 | 1.50 | 0.39 | 4.92 | 1.18 | 0.43 | 3.07 | 4-1.10 | 24.11 | 7.05 | 7.87 | 78.48 | 2390 | 3452 | 1054.8 | 8169 |
| 14" | F12 | 27 mm | 12.99 | 11.02 | 13.43 | 1.10 | - | 5.91 | 1.38 | 0.55 | 3.07 | 4-1.14 | 27.52 | 10.43 | 13.78 | 119.05 | 3983 | 7523 | 1449.4 | 9337.7 |
| 16" | F12 | 27 mm | 13.98 | 12.01 | 15.35 | 1.10 | - | 5.91 | 1.57 | 0.55 | 4.02 | 4-1.18 | 29.49 | 10.43 | 13.78 | 194.01 | 4248 | 7966 | 1782.5 | 10871.9 |
| 18" | F14 | 36 mm | 15.75 | 13.50 | 17.48 | 1.46 | - | 6.89 | 1.77 | 0.55 | 4.49 | 4-1.26 | 33.15 | 11.81 | 15.75 | 271.17 | 4602 | 6373 | 2398.2 | 15063.3 |
| 1 1/2" | F07 | 11 mm | 5.12 | 2.95 | 1.93 | 1.34 | 0.39 | 3.54 | 0.55 | 0.35 | 1.30 | 2-0.71 | 10.59 | 6.69 | 7.87 | 9.70 | 97 | 124 | 20.4 | 104 |
| 2" | F07 | 11 mm | 5.43 | 3.19 | 2.17 | 1.34 | 0.39 | 3.54 | 0.55 | 0.35 | 1.69 | 4-0.79 | 11.14 | 6.69 | 7.87 | 11.02 | 106 | 133 | 31.8 | 134.9 |
| 20" | F14/16 | 36 mm | 16.61 | 14.41 | 19.49 | 1.46 | - | 8.27 | 1.77 | 0.71/0.87 | 5.00 | 4-1.26 | 34.92 | 11.81 | 15.75 | 337.31 | 5310 | 7169 | 2920 | 18313 |
| 24" | F16 | 46 mm | 19.49 | 18.11 | 23.43 | 2.95 | - | 8.27 | 2.36 | 0.87 | 6.06 | 4-1.54 | 51.38 | 14.72 | 19.69 | 529.33 | 17347 | 20357 | 4510 | 25473.2 |
| 2 1/2" | F07 | 11 mm | 5.67 | 3.86 | 2.68 | 1.34 | 0.39 | 3.54 | 0.55 | 0.35 | 1.81 | 4-0.79 | 12.05 | 6.69 | 7.87 | 13.01 | 142 | 159 | 48 | 254.2 |
| 3" | F07 | 11 mm | 6.22 | 4.33 | 3.19 | 1.34 | 0.39 | 3.54 | 0.55 | 0.35 | 1.81 | 4-0.79 | 13.07 | 6.69 | 7.87 | 13.67 | 266 | 354 | 72.6 | 431.5 |
| 4" | F07 | 11 mm | 6.81 | 5.04 | 3.98 | 1.34 | 0.39 | 3.54 | 0.63 | 0.35 | 2.05 | 4-0.98 | 14.37 | 6.69 | 7.87 | 18.08 | 381 | 425 | 109.1 | 689.5 |
| 5" | F07 | 14 mm | 7.32 | 5.51 | 4.96 | 1.34 | 0.39 | 3.54 | 0.71 | 0.35 | 2.20 | 4-0.98 | 15.35 | 6.69 | 7.87 | 20.72 | 460 | 620 | 173.2 | 1200 |
| 6" | F07 | 14 mm | 7.95 | 6.10 | 5.91 | 1.34 | 0.39 | 3.54 | 0.71 | 0.35 | 2.20 | 4-0.98 | 16.57 | 6.69 | 7.87 | 24.91 | 531 | 797 | 260.7 | 1756.1 |
| 8" | F10 | 17 mm | 9.45 | 7.48 | 7.87 | 1.50 | 0.39 | 4.92 | 0.87 | 0.43 | 2.36 | 4-0.98 | 19.51 | 7.05 | 7.87 | 38.80 | 947 | 1859 | 482.4 | 3105.2 |

WARNING: This product can expose you to chemicals including lead, which is known to the State of California to cause cancer and birth defects or other reproductive harm. For more information go to www.p65warnings.ca.gov.

Certifications



NSF



NSF-ANSI