



## 550P

### PTFE COATED SS DISC

Manually operated Wafer butterfly valves.

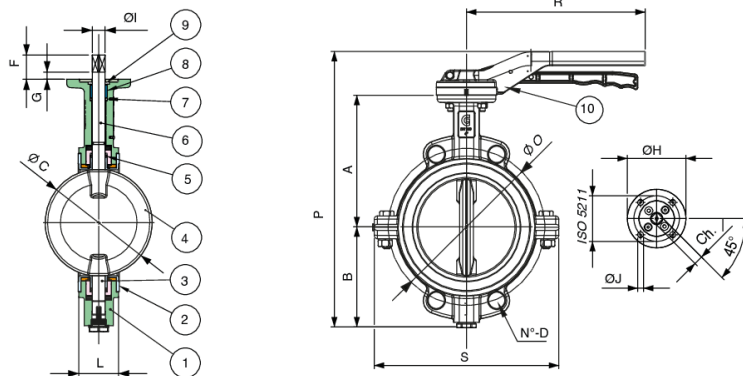
- Epoxy coated ductile iron (EN-GJS 400-15) Wafer body.
- 550P - sizes 2" to 12".
- ISO 5211 direct mounting pad/square stem.
- PTFE seat -70°F to +392°F.
- API 609 face to face flange.
- Floating dual shaft disc design.
- Pressure rating 250 psi: 2"- 8" and 150 psi: 10"-12".
- MSS SP 67 compliant.
- No pins in disc prevent potential leak points.
- FDA approved PTFE coating.
- Stainless steel body available on request.

550P: size 2" to 12".

G550P: GEAR OPERATED VERSION size 2" to 12".

**NEW**

## Technical specifications



POSITION	PART NAME	MATERIAL	N.° PIECES
1	BODY	DUCTILE IRON	1
2	SEAT	PTFE	1
3	LOWER SHAFT	A630	1
4	DISC	S.S. PTFE LINED	1
5	SECONDARY SEAL	PTFE	2
6	UPPER SHAFT	A630	1
7	O-RING	VITON	1
8	BUSHING	PTFE	1
9	STOP RING	SPRING STEEL	1
10	HANDLEVER	ALUMINIUM	1

SIZE	ISO 5211	ØCH	A	B	ØC	F	G	ØH	ØI	ØJ	L	N°-D	P	R	S	WEIGHT LBS	SEAT TORQUE 100 PSI	SEAT TORQUE 250 PSI	CV (GPM@ 1 PSI) 50% OP	CV (GPM@ 1 PSI) 100% OP
10"	F10	22 mm	10.63	8.66	9.84	1.50	0.39	4.92	1.18	0.43	2.68	4-1.10	21.93	-	15.67	54.01	1947	-	730.5	5191.8
12"	F10	22 mm	11.81	9.72	11.73	1.50	0.39	4.92	1.18	0.43	3.07	4-1.10	24.11	-	17.91	70.55	2478	-	1054.8	8169
2"	F07	11 mm	5.43	3.19	2.17	1.34	0.39	3.54	0.55	0.35	1.69	4-0.79	11.26	8.66	6.50	11.46	142	221	31.8	134.9
2 1/2"	F07	11 mm	5.67	3.86	2.68	1.34	0.39	3.54	0.55	0.35	1.81	4-0.79	12.17	8.66	7.32	13.01	177	248	48	254.2
3"	F07	11 mm	6.22	4.33	3.19	1.34	0.39	3.54	0.55	0.35	1.81	4-0.79	13.19	8.66	7.72	13.67	354	487	72.6	431.5
4"	F07	11 mm	6.81	5.04	3.98	1.34	0.39	3.54	0.63	0.35	2.05	4-0.98	14.49	8.66	8.66	18.96	451	584	109.1	689.5
5"	F07	14 mm	7.32	5.51	4.96	1.34	0.39	3.54	0.71	0.35	2.20	4-0.98	15.47	10.83	-	23.92	531	752	173.2	1200
6"	F07	14 mm	7.95	6.10	5.91	1.34	0.39	3.54	0.71	0.35	2.20	4-0.98	16.69	10.83	10.94	27.67	620	885	260.7	1756.1
8"	F10	17 mm	9.45	7.48	7.87	1.50	0.39	4.92	0.87	0.43	2.36	4-0.98	19.57	-	13.89	33.51	1283	1938	482.4	3105.2

\* 10" - 12" available in bare stem or gear operated version only

**WARNING:** This product can expose you to chemicals including lead, which is known to the State of California to cause cancer and birth defects or other reproductive harm. For more information go to [www.p65warnings.ca.gov](http://www.p65warnings.ca.gov).

---

## Certifications

---

**FDA**  
FDA APPROVED  
PTE COATING

FDA