

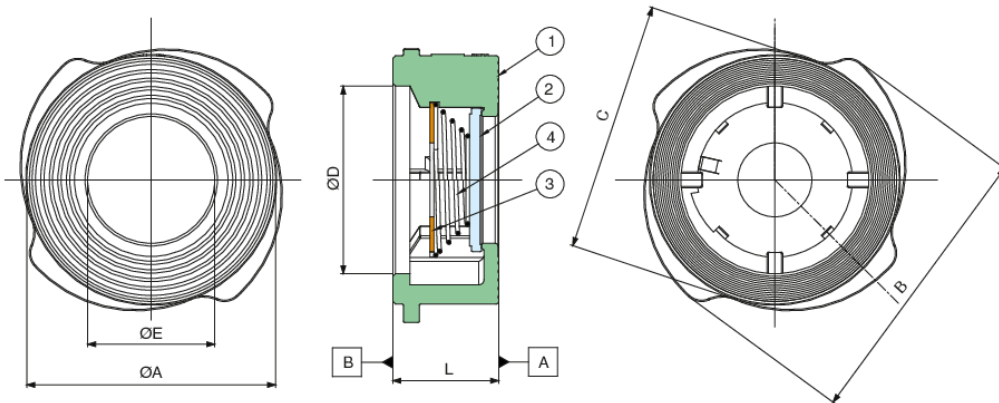
GB15MM PTFE COATED SS DISC

Stainless steel metal to metal seated silent check valve.

- Pressure rating 750 psi.
 - Temperature range -65°F to +480°F.
 - 0.35 psi cracking pressure.
 - Can be intalled in any position.
 - Usable as a vacuum breaker, overpressure, and bottom valve.
 - Low head loss.
 - Can be used with ANSI 150 or 300 flanges.
 - EPDM, NBR, FKM, or PTFE seats available upon request.
- GB15MM: size 1/2" to 4".

NEW

Technical specifications



POSITION	PART NAME	MATERIAL	N.° PIECES
1	BODY	A316	1
2	DISC	A240/AISI 316L	1
3	STOP RING	AISI 316L	1
4	SPRING	AISI 316	1

SIZE	ØA	B	C	ØD	ØE	L	PSI	WEIGHT LBS
1/2"	1.69	2.13	1.77	0.91	0.55	0.67	750	0.24
3/4"	1.89	2.52	2.12	1.10	0.75	0.79	750	0.40
1"	2.28	2.80	2.48	1.42	0.98	0.87	750	0.57
1 1/4"	2.68	3.19	2.83	1.97	1.22	1.10	750	0.88
1 1/2"	2.95	3.66	3.23	2.28	1.50	1.26	750	1.21
2"	3.70	4.33	3.74	2.80	1.89	1.57	750	2.20
2 1/2"	4.45	5.12	4.53	3.39	2.44	1.81	750	3.31
3"	5.08	5.87	5.16	4.13	3.03	1.97	750	4.41
4"	6.26	7.13	6.30	5.12	3.74	2.36	750	7.05

WARNING: This product can expose you to chemicals including lead, which is known to the State of California to cause cancer and birth defects or other reproductive harm. For more information go to www.p65warnings.ca.gov.

