

B115 LF

LF SUPER BRONZE

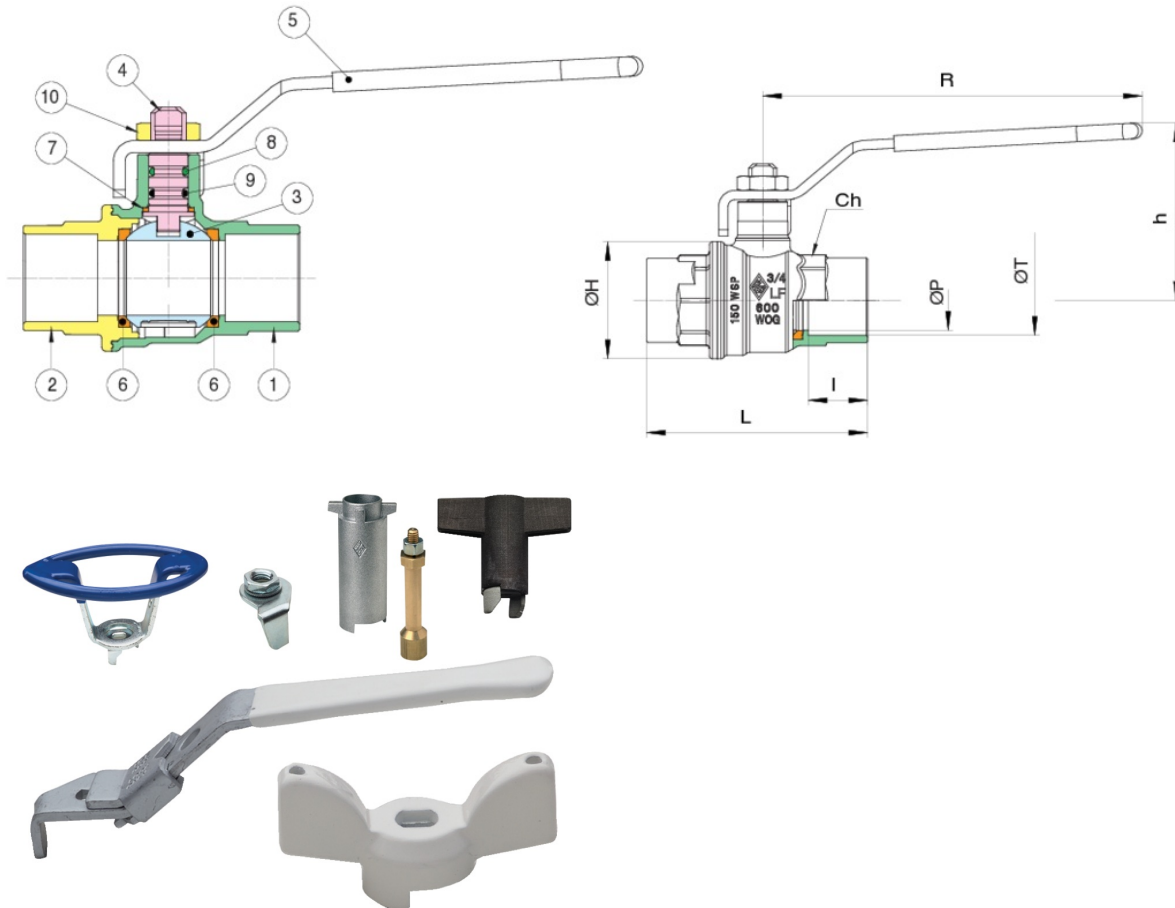
Forged bronze ball valve with solder ends, full port.

- Pressure rating 600 WOG-150 WSP.
- Temperature range -4°F to 366°F.
- ANSI B16.18 connections.
- Made in specially formulated dezincification-resistant silicon bronze.
- SLT coated LF brass ball.
- Blow-out proof stem.
- PTFE seats and double O-ring packing.
- 100% electronically tested in the open and closed position at 80 psi.

B115 LF: LEVER HANDLE - size 1/2" to 2".

B125 LF: T- HANDLE - size 1/2" to 1".

Technical specifications



POSITION	PART NAME	MATERIAL	N.° PIECES
1	BODY	LF BRONZE*	1
2	END CONNECTION	LF BRONZE*	1
3	BALL	LF BRASS CW 510L*	1
4	STEM	LF BRASS CW 510L*	1
5	HANDLE	STEEL DD11	1
6	BALL SEAT	PTFE	2
7	THRUST WASHER	PTFE	1
8	O-RING	FKM (VITON)	1
9	O-RING	NBR	1
10	NUT	STEEL CL04	1

* **Lead free** refers to the wetted surface of pipe, fittings and fixtures in potable water systems that have a weighted average lead content not more than 0.25%. Source: California health & Safety code (116875). Vermont Act 193.

SIZE	ØP	I	ØT	L	ØH	CH	R	H	CV	PSI	WEIGHT LBS
1/2"	0.55	0.5	0.63	2.19	1.22	0.87	3.78	1.77	18.15	600	0.4
3/4"	0.75	0.75	0.88	2.78	1.46	1.06	4.76	2.22	32.37	600	0.63
1"	0.94	0.91	1.13	3.37	1.76	1.34	4.76	2.32	47.98	600	0.95
1 1/4"	1.19	0.97	1.38	3.86	2.11	1.69	5.94	2.85	97.8	600	1.64
1 1/2"	1.5	1.1	1.63	4.48	2.64	1.97	5.94	3.09	252.6	600	2.33
2"	1.95	1.34	2.13	5.33	3.39	2.44	6.3	3.7	290.75	600	3.8

WARNING: This product can expose you to chemicals including lead, which is known to the State of California to cause cancer and birth defects or other reproductive harm. For more information go to www.p65warnings.ca.gov.

Certifications



TSSA



up to 2"

UL-up to 2"