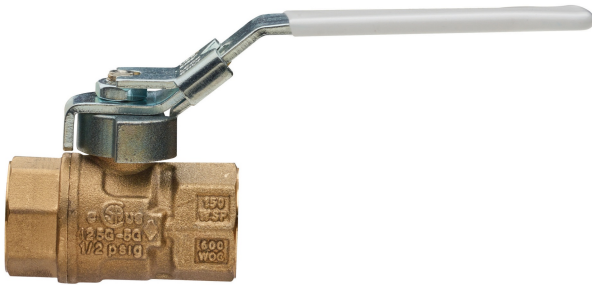


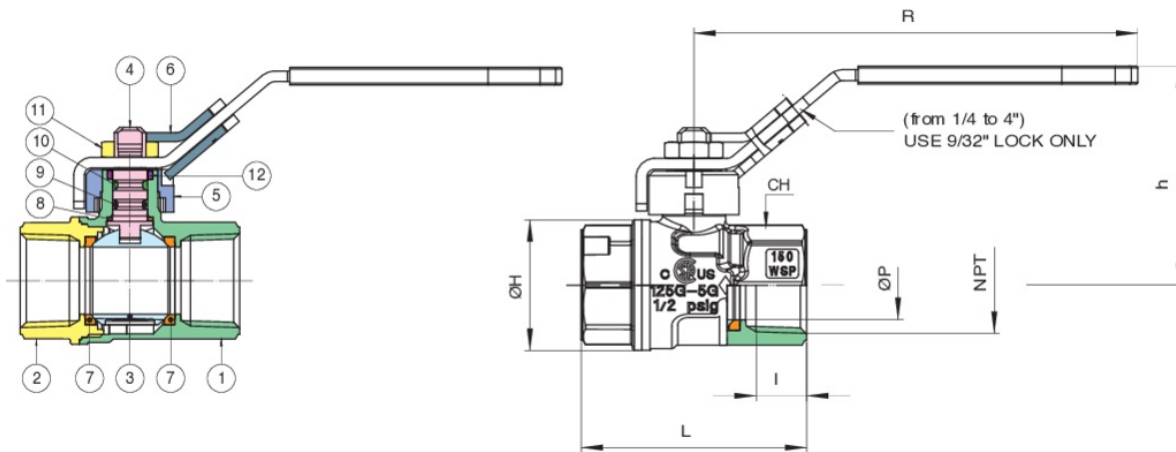
## 161L LF COMPACT STYLE



- Lead free brass ball valve, FNPT threaded, full port, with latch lock handle.
  - Pressure rating 600 WOG-150 WSP.
  - Temperature range -4°F to 366°F.
  - ANSI B1.20.1 connections.
  - Blow-out proof stem, SLT coated LF brass ball.
  - PTFE seats, seals, and thrust washer.
  - 100% electronically tested in the open and closed position at 80 psi.
  - Valve to be used in fully open or fully closed position.
- 161L LF: LOCK HANDLE - size 1/2" to 4".

MEETS THE DESIGN CRITERIA OF MSS SP-110.

### Technical specifications



The Buna O-ring is fitted to the stem of the valve as the best possible protection against potential gas leakage under extreme duty, or low pressure applications. A secondary P.T.F.E stem seal will also assure that the valve is suitable for use up to 366°F.

POSITION	PART NAME	MATERIAL	N.° PIECES
1	BODY	LF BRASS C28500 *	1
2	END CONNECTION	LF BRASS C28500 *	1
3	BALL	LF BRASS C28500 *	1
3	BALL 2 1/2" to 4")	AISI 316 (CF8M)	1
4	STEM	LF BRASS C28500 *	1
5	BUSH	G ZN AL4	1
6	HANDLE	STEEL DD11	1
7	BALL SEAT	PTFE	2
8	THRUST WASHER	PTFE	1
9	O-RING	NBR	1
10	O-RING	FKM (VITON)	1
11	NUT	STEEL CL04	1
12	PACKING RING	PTFE	1

\* **Lead free** refers to the wetted surface of pipe, fittings and fixtures in potable water systems that have a weighted average lead content not more than 0.25%. Source: California health & Safety code (116875). Vermont Act 193.

SIZE	ØP	I	L	ØH	CH	R	H	CV	PSI	WEIGHT (LBS)
1/2"	0.55	0.54	2.22	1.22	0.98	3.78	1.91	18.15	600	0.48
3/4"	0.75	0.55	2.46	1.46	1.22	4.84	2.38	32.37	600	0.81
1"	0.94	0.66	3.01	1.76	1.5	4.84	2.48	47.98	600	1.14
1 1/4"	1.19	0.68	3.37	2.11	1.89	5.94	2.99	97.8	600	1.86
1 1/2"	1.5	0.68	3.7	2.64	2.13	5.94	2.05	252.6	600	2.51
2"	1.95	0.7	4.31	3.39	2.64	6.3	3.76	290.75	600	4.39
2 1/2"	2.44	0.93	5.16	4.09	3.27	8.11	4.78	593.06	600	8.67
3"	2.99	1.02	5.94	4.96	3.86	8.11	5.2	958.84	600	13.24
4"	3.94	1.09	7.6	6.54	4.92	10.28	6.56	1526.59	600	27.66

**WARNING:** This product can expose you to chemicals including lead, which is known to the State of California to cause cancer and birth defects or other reproductive harm. For more information go to [www.p65warnings.ca.gov](http://www.p65warnings.ca.gov).

## Certifications



UL certified



HEALTH EFFECTS



FM\_400 WOG-up to 2"



TSSA