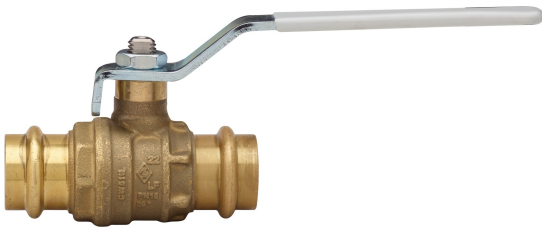


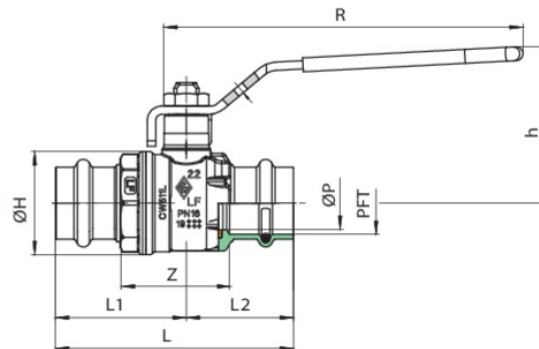
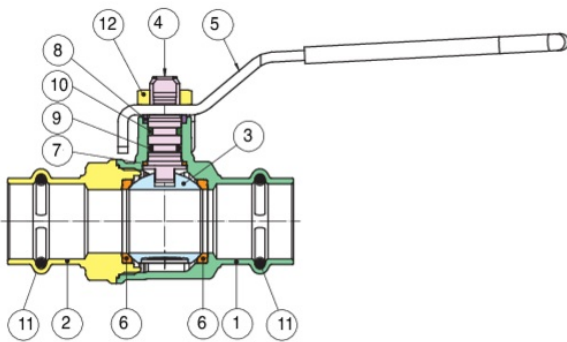
1570 LF PRESS VALVE



Lead free brass ball valve with EURO-PRESS connections full port.

- Working pressure 200 psi.
 - Made in lead free dezincification resistant brass (LF-DZR).
 - Temperature range -4°F to 250°F.
 - Drip fit O-rings.
 - No soldered-in end pieces.
 - Blow-out proof stem, SLT coated LF brass.
 - PTFE seats and double O-ring stem, adjustable packing.
 - 100% electronically tested in the open and closed position at 80 psi.
 - Valve to be used in fully open or fully closed position.
- 1570 LF: size 1/2" to 2".

Technical specifications



The Buna O-ring is fitted to the stem of the valve as the best possible protection against potential gas leakage under extreme duty, or low pressure applications. A secondary P.T.F.E stem seal will also assure that the valve is suitable for use up to 366°F.

POSITION	PART NAME	MATERIAL	N.° PIECES
1	BODY	LF DZR BRASS C27453*	1
2	END CONNECTION	LF DZR BRASS C27453*	1
3	BALL	LF BRASS C28500*	1
4	STEM	LF BRASS C28500*	2
5	HANDLE	STEEL 0D11	2
6	BALL SEAT	PTFE	1
7	THRUST WASHER	PTFE	1
8	PACKING RING	PTFE	1
9	O-RING	NBR	1
10	O-RING	FKM (VITON)	1
11	O-RING	EPDM PEROX	1
12	NUT	STEEL CL 04	1

* **Lead free** refers to the wetted surface of pipe, fittings and fixtures in potable water systems that have a weighted average lead content not more than 0.25%. Source: California health & Safety code (116875). Vermont Act 193.

SIZE	ØP	Z	ØH	L	L1	L2	H	R	CV	PSI	WEIGHT (LBS)
1/2"	0.55	1.52	1.22	2.93	1.62	1.31	1.77	3.78	18.15	200	0.41
3/4"	0.75	1.56	1.46	3.37	1.85	1.52	2.22	4.84	32.37	200	0.73
1"	0.94	1.92	1.76	3.81	2.11	1.7	2.32	4.84	47.98	200	1.07
1 1/4"	1.19	2.13	2.11	4.17	2.24	1.93	2.85	5.94	97.8	200	1.57
1 1/2"	1.5	2.39	2.64	5.23	2.78	2.45	3.09	5.94	252.6	200	2.53
2"	1.95	3.12	3.39	6.27	3.29	2.98	3.7	6.3	290.75	200	4.4

WARNING: This product can expose you to chemicals including lead, which is known to the State of California to cause cancer and birth defects or other reproductive harm. For more information go to www.p65warnings.ca.gov.

Certifications



UL certified



HEALTH EFFECTS



FM



TSSA