

1970 LF PRESS VALVE

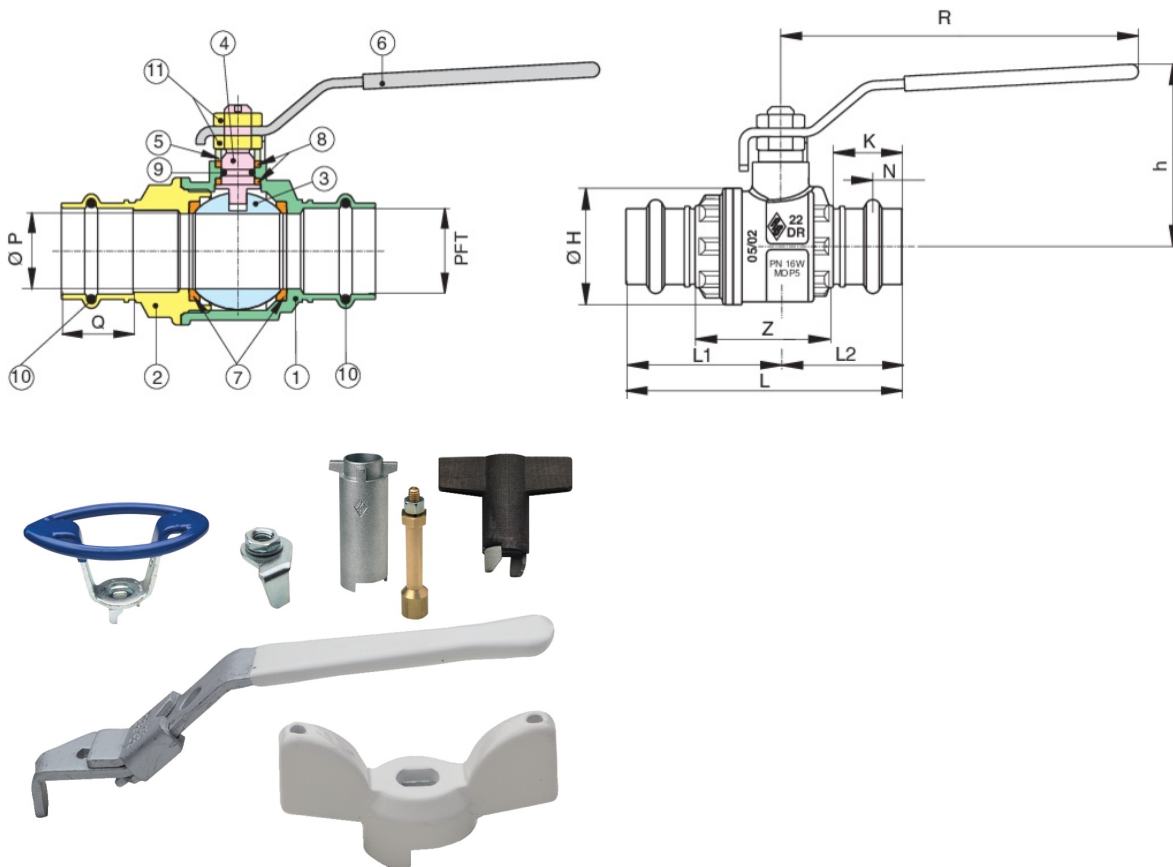
Lead free brass ball valve with EURO-PRESS connections, full port.

- Test pressure rating 600 psi, working pressure 200 psi.
- Temperature range -4°F to 250°F.
- Made in lead free dezincification resistant brass (LF-DZR).
- Blow-out proof stem, SLT coated LF brass ball.
- PTFE seats, seals, and thrust washer.
- Adjustable stem packing.
- 100% electronically tested in the open and closed position at 80 psi.
- Valve to be used in fully open or fully closed position.
- Press alert O-rings.

1970 LF: size 1/2" to 2".

For size 2 1/2", 3" and 4" see 1670XLC LF.

Technical specifications



POSITION	PART NAME	MATERIAL	N.º PIECES
1	BODY	LF DZR BRASS C27453*	1
2	END CONNECTION	LF DZR BRASS C27453*	1
3	BALL	LF BRASS C28500*	1
4	STEM	LF BRASS C28500*	1
5	PACKING GLAND	BRASS C38500	1
6	HANDLE	STEEL DD11	1
7	BALL SEAT	PTFE	2
8	STEM SEAL/THRUST WASHER	PTFE	2
9	O-RING	NBR	1
10	O-RING	EPDM PEROX	2
11	NUT	STEEL CL 04	2

* **Lead free** refers to the wetted surface of pipe, fittings and fixtures in potable water systems that have a weighted average lead content not more than 0.25%. Source: California health & Safety code (116875). Vermont Act 193.

PFT	ØP	Z	K	N	ØH	L	L1	L2	H	R	CV	MAX WORK PRESS (PSI)	MAX TEST PRESS (PSI)	WEIGHT (LBS)
1/2"	0.59	1.61	0.67	0.31	1.3	2.99	1.71	1.3	1.89	3.78	18.84	200	600	0.45
3/4"	0.79	1.69	0.83	0.39	1.57	3.5	1.93	1.57	2.32	4.76	34.1	200	600	0.85
1"	0.98	2.03	0.83	0.39	1.93	3.92	2.19	1.73	2.48	4.76	49.71	200	600	1.24
1 1/4"	1.26	2.19	0.83	0.39	2.32	4.23	2.3	1.93	2.99	5.94	102.89	200	600	2.01
1 1/2"	1.57	2.5	1.02	0.49	2.87	5.33	2.78	2.56	3.25	5.94	265.9	200	600	3.24
2"	1.95	3.13	1.26	0.59	3.43	6.28	3.3	2.98	3.78	6.3	306.36	200	600	5.43

WARNING: This product can expose you to chemicals including lead, which is known to the State of California to cause cancer and birth defects or other reproductive harm. For more information go to www.p65warnings.ca.gov.

Certifications



UL certified



HEALTH EFFECTS



FM-200 WOG



TSSA