

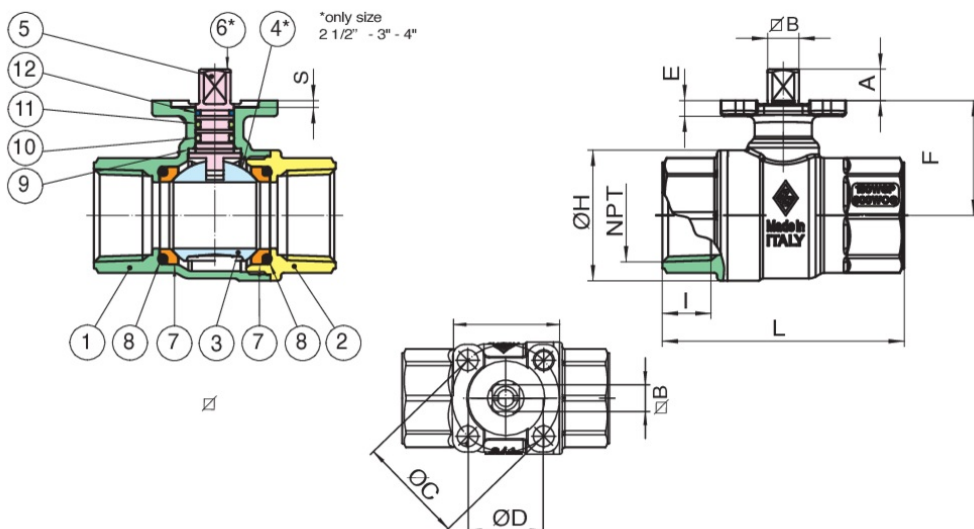
253N LF

DIRECT MOUNT 2-WAY BALL VALVE

Lead free brass ball valve, FNPT threaded, with ISO 5211 pad for actuator, full port.

- Pressure rating 600 WOG-150 WSP.
 - Temperature range -4°F to 366°F.
 - ANSI B1.20.1 connections.
 - Blow-out proof stem, SLT. coated LF brass ball and double O-ring stem packing.
 - PTFE seats with O-ring backing for low operating torque.
 - 100% electronically tested in the open and closed position at 80 psi.
 - Valve to be used in fully open or fully closed position.
- 250N LF: size 1/4" to 4".
253N LF: WITH STAINLESS STEEL BALL AND STEM - size 1/4" to 4".

Technical specifications



POSITION	PART NAME	MATERIAL	N.° PIECES
1	BODY	LF BRASS C28500*	1
2	END CONNECTION	LF BRASS C28500*	1
4	BALL	AISI 316 (CF8M)	1
6	STEM	AISI 304	1
7	BALL SEAT	PTFE	2
8	O-RING	FKM (VITON)	2
9	THRUST WASHER	PTFE	1
10	O-RING	FKM (VITON)	1
11	O-RING	EPDM	1
12	THRUST WASHER	PTFE	1

SIZE	I	CH	ØH	L	A	B	ØC ISO 5211	ØD	S	E	F	CV	PSI	WEIGHT (LBS)	BREAK TORQUE (IN/LBS)	
1/4"	1.42	0.39	0.79	1.18	2.24	0.35	0.24	F03	0.98	0.08	0.18	1.22	6.24	600	0.46	26.55
3/8"	1.42	0.41	0.79	1.18	2.24	0.35	0.24	F03	0.98	0.08	0.18	1.22	3.94	600	0.44	26.55
1/2"	1.42	0.54	0.98	1.18	2.52	0.35	0.24	F03	0.98	0.08	0.18	1.22	18.84	600	0.5	26.55
3/4"	1.42	0.55	1.22	1.48	2.74	0.35	0.24	F03	0.98	0.12	0.18	1.3	34.1	600	0.74	35.4
1"	1.42	0.66	1.5	1.83	3.23	0.35	0.24	F03	0.98	0.12	0.18	1.56	49.71	600	1.22	44.25
1 1/4"	1.42	0.68	1.89	2.21	3.54	0.35	0.24	F03	0.98	0.12	0.18	1.69	102.88	600	1.84	53.1
1 1/2"	1.97	0.68	2.12	2.74	4	0.43	0.28	F05	1.38	0.12	0.28	2.21	265.88	600	3.49	79.66
2"	1.97	0.7	2.64	3.47	4.69	0.43	0.28	F05	1.38	0.12	0.28	2.57	306.34	600	5.35	88.51
2 1/2"	2.68	0.93	3.39	4.41	5.95	0.59	0.35	F07	2.17	0.12	0.34	3.23	624.24	600	10.82	238.97
3"	2.68	1.02	4.02	5.2	6.69	0.59	0.35	F07	2.17	0.12	0.34	3.6	1009.19	600	16.27	256.67
4"	2.68	1.09	4.92	6.46	7.84	0.69	0.35	F07	2.17	0.12	0.34	4.43	1606.84	600	27.54	486.79

Certifications



UL certified

HEALTH
EFFECTS
US-CA NSF 372
NSF 61

HEALTH EFFECTS



TSSA