

355N LF (T) - 365N LF (L) DIRECT MOUNT 3-WAY BALL VALVE

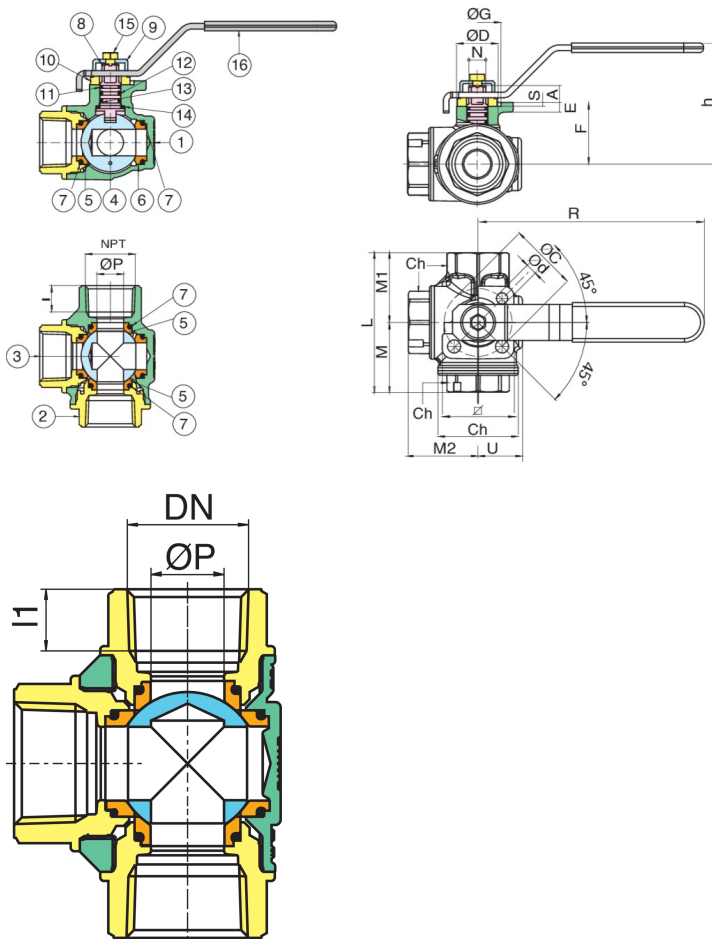
3-way lead free brass valve, FNPT threaded, with ISO 5211 pad for actuator, standard port.

- Pressure rating 400 WOG-100 WSP.
- Temperature range -4°F to +366°F.
- ANSI B1.20.1 connections.
- Blow-out proof stem, T.E.A. coated LF brass ball and double O-ring stem packing.

- PTFE seats with O-ring backing for low operating torque.
- 100% electronically tested in the open and closed position at 80 psi.
- Four seat design for sealing between pressurized ports.

355N LF: LEVER HANDLE - size 1/4" to 3", "T" flow pattern.
365N LF: LEVER HANDLE - size 1/4" to 3", "L" flow pattern.

Technical specifications



The Buna O-ring is fitted to the stem of the valve as the best possible protection against potential gas leakage under extreme duty, or low pressure applications. A secondary P.T.F.E stem seal will also assure that the valve is suitable for use up to 366°F.

POSITION	PART NAME	MATERIAL	N.* PIECES
1	BODY	LF BRASS C28500 *	1
2	END CONNECTION	LF BRASS C28500 *	1
3	END CONNECTION	LF BRASS C28500 *	1
4	BALL	LF BRASS C28500 *	1
5	BALL SEAT	PTFE	3
6	BALL SEAT	PTFE	1
7	O-RING	FKM (VITON)	4
8	STEM	LF BRASS C28500 *	1
9	BUSH	BRASS C38500	1
10	WASHER	NYLON (PA6)	1
11	THRUST WASHER	PTFE	1
12	O-RING	EPDM	1
13	O-RING	FKM (VITON)	1
14	THRUST WASHER	PTFE	1
15	SCREW	STEEL CL 8.8	1
16	HANDLE	STEEL DD11	1

* **Lead free** refers to the wetted surface of pipe, fittings and fixtures in potable water systems that have a weighted average lead content not more than 0.25%. Source: California health & Safety code (116875). Vermont Act 193.

SIZE	ØP	ØH	I	L	CH	A	ØD	ØC	ØD	E	F		ØG	M	M1	M2	B	S	U	H	R	CV 355NLF	CV 365NLF	PSI	WEIGHT (LBS) 355NLF	WEIGHT (LBS) 365NLF	BREAK TORQUE (IN/LBS)*
1/4"	0.39	1.42	0.39	2.36	0.79	0.35	0.24	1.42	0.99	0.2	1.2	1.5	0.87	1.18	1.18	1.18	0.35	0.08	0.79	2.44	4.72	3.26	3.5	400	1	1.01	35.4
3/8"	0.43	1.42	0.41	2.44	0.79	0.35	0.24	1.42	0.99	0.2	1.2	1.5	0.87	1.22	1.22	1.22	0.35	0.08	0.79	2.44	4.72	3.5	4.08	400	0.96	0.97	35.4
1/2"	0.43	1.42	0.54	2.78	0.98	0.35	0.24	1.42	0.99	0.2	1.2	1.5	0.87	1.39	1.39	1.4	0.35	0.08	0.79	2.44	4.72	4.2	5.02	400	1.05	1.06	35.4
3/4"	0.55	1.67	0.55	2.95	1.22	0.35	0.24	1.42	0.99	0.2	1.29	1.5	0.87	1.48	1.48	1.48	0.35	0.08	0.93	2.52	4.72	7	7.7	400	1.37	1.39	35.4
1"	0.75	2.01	0.66	3.5	1.5	0.43	0.28	1.97	1.38	0.24	1.73	1.97	0.94	1.75	1.75	1.75	0.43	0.12	1.07	3.05	6.79	12.83	14.24	400	2.35	2.41	70.81
1 1/4"	0.95	2.62	0.68	4.04	1.89	0.43	0.28	1.97	1.38	0.24	1.95	1.97	0.94	2.05	1.99	1.99	0.43	0.12	1.31	3.27	6.79	18.67	19.72	400	3.74	3.82	88.51
1 1/2"	1.18	3.07	0.68	4.66	2.13	0.43	0.28	1.97	1.38	0.28	2.34	1.97	1.26	2.43	2.22	2.43	0.43	0.12	1.57	3.66	6.79	29.75	30.69	400	5.53	5.82	106.21
2"	1.5	3.7	0.7	5.41	2.64	0.59	0.35	2.76	2.17	0.31	2.91	2.76	1.46	2.89	2.52	2.89	0.55	0.12	1.82	4.37	9.06	43.76	48.58	400	9.65	9.92	177.02
2 1/2"	1.95	4.37	0.93	6.93	3.35	0.59	0.35	2.76	2.17	0.31	3.35	2.76	1.46	3.46	3.46	3.46	0.55	0.12	2.2	4.8	9.06	62.42	64.74	400	19.54	20.17	265.52
3"	1.95	4.45	1.02	7.09	4.13	0.59	0.35	2.76	2.17	0.31	3.35	2.76	1.46	3.54	3.54	3.54	0.55	0.12	2.2	4.8	9.06	62.42	64.74	400	19.53	20.16	265.52

*Torque values in the table are measured in laboratory tests under the following conditions:

TEMPERATURE: 68°F - PRESSURE: 0 psi - FLUID: PURIFIED WATER

WARNING: This product can expose you to chemicals including lead, which is known to the State of California to cause cancer and birth defects or other reproductive harm. For more information go to www.p65warnings.ca.gov.

Certifications



UL certified



HEALTH EFFECTS



TSSA