



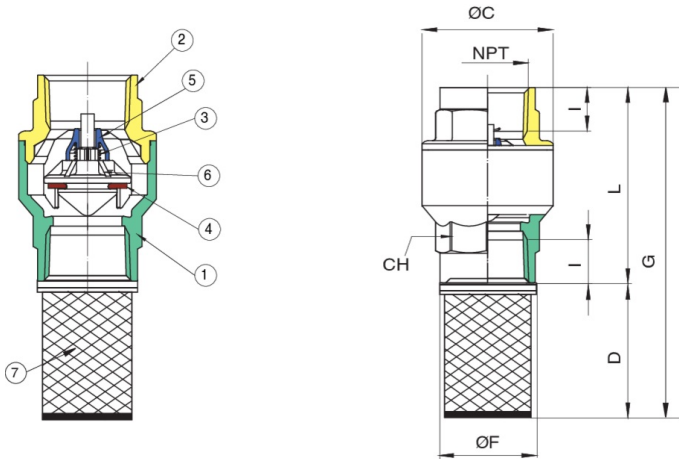
## 100112 LF FOOT VALVE

High flow rate, lead free brass, FNPT threaded, in-line spring loaded check valve.

- Pressure rating sizes 3/8"-2" 400 WOG - 2 1/2"- 4" 175 WOG.
- Low cracking pressure 1/2 psi.
- Wide temperature range: -4°F to 210°F.
- ANSI B1.20.1 connections.
- Soft seat for bubble tight shutoff, spring loaded for fast seating action.
- Flow pattern to minimize head loss.
- Perfect sealing both at high and low pressure.
- High technology materials to ensure best resistance in any condition.
- Stainless steel 1000 micron strainer.

100112 LF: size 3/8" to 4".

### Technical specifications



POSITION	PART NAME	MATERIAL	N.° PIECES
1	BODY	LF BRASS C28500*	1
2	END CONNECTION	LF BRASS C28500*	1
3	SPRING	AISI 302	1
4	SEAT	NBR	1
5	SUPPORT	POM	1
6	DISC	POLYPHENYLENE SULFIDE	1
7	STRAINER	STAINLESS STEEL NYLON 1000 MICRON	1

\* **Lead free** refers to the wetted surface of pipe, fittings and fixtures in potable water systems that have a weighted average lead content not more than 0.25%. Source: California health & Safety code (116875). Vermont Act 193.

SIZE	I	L	ØC	D	ØF	G	CH	PSI	CV	WEIGHT (LBS)
3/8"	0.41	1.73	1.06	1.67	0.91	3.41	0.79	400	2.1	0.21
1/2"	0.54	2.32	1.36	1.69	1.02	4.02	0.98	400	9.2	0.36
3/4"	0.55	2.56	1.65	1.89	1.26	4.45	1.22	400	15.1	0.52
1"	0.66	2.76	1.93	1.89	1.61	4.65	1.5	400	22.1	0.8
1 1/4"	0.68	2.93	2.4	2.24	1.93	5.18	1.89	400	34.3	1.26
1 1/2"	0.68	3.17	2.87	2.68	2.17	5.85	2.13	400	51.9	1.76
2"	0.7	3.37	3.46	3.27	2.64	6.63	2.64	400	71.3	2.39
2 1/2"	0.93	4.37	4.39	3.29	3.39	7.66	3.27	175	90.1	4.98
3"	1.02	4.86	5.24	3.9	3.9	8.76	3.86	175	141.7	7.27
4"	1.09	5.41	6.42	4.53	4.8	9.94	5.04	175	220.7	12.22

**WARNING:** This product can expose you to chemicals including lead, which is known to the State of California to cause cancer and birth defects or other reproductive harm. For more information go to [www.p65warnings.ca.gov](http://www.p65warnings.ca.gov).

# Certifications



UL certified

HEALTH  
EFFECTS  
M-GA-NSF372  
NSF61

HEALTH EFFECTS