



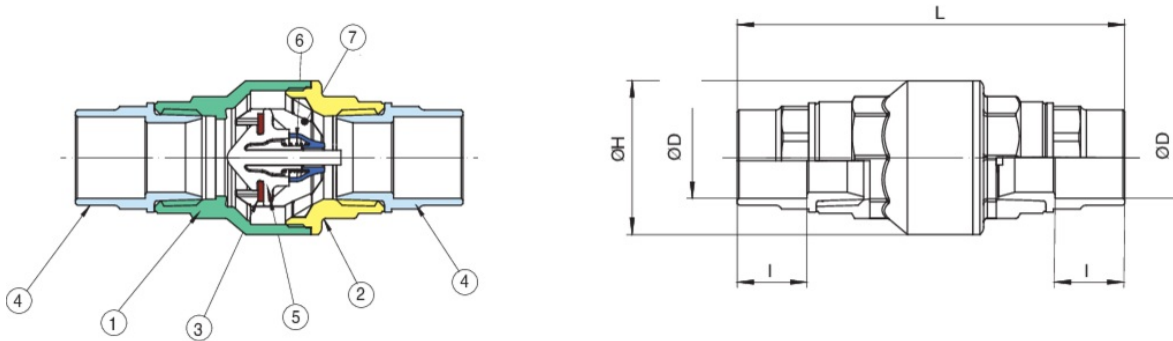
## 100712 LF IN-LINE SWEAT ENDS CHECK VALVE

High flow rate, lead free brass, solder ends, in-line spring loaded check valve.

- Pressure rating size 1/2"- 2" 400 WOG.
- Low cracking pressure 1/2 psi.
- Wide temperature range: -4°F to 210°F.
- ANSI B16.18 connections.
- Soft seat for bubble tight shutoff, spring loaded for fast seating action.
- Flow profile designed to minimize head loss.
- Perfect sealing both at high and low pressure.
- High technology materials to ensure the best resistance in any condition.
- Traditional sweating procedures recommended.

100712 LF: size 1/2" to 2".

### Technical specifications



POSITION	PART NAME	MATERIAL	N.° PIECES
1	BODY	LF BRASS C28500*	1
2	END CONNECTION	LF BRASS C28500*	1
3	SEAT	NBR	1
4	CONNECTION	LF BRASS C28500	1
5	DISC	POLYPHENYLENE SULFIDE	1
6	SPRING	AISI 302	2
7	SUPPORT	POM	1

\* **Lead free** refers to the wetted surface of pipe, fittings and fixtures in potable water systems that have a weighted average lead content not more than 0.25%. Source: California health & Safety code (116875). Vermont Act 193.

SIZE	ØD	l	L	ØH	CV	PSI	WEIGHT (LBS)
1/2"	0.63	0.5	3.43	1.36	8.1	400	0.44
3/4"	0.88	0.75	4.17	1.65	14.1	400	0.73
1"	1.13	0.91	4.88	1.93	20.9	400	1.14
1 1/4"	1.38	0.97	5.26	2.4	35.84	400	1.92
1 1/2"	1.63	1.1	5.79	2.87	51.9	400	2.49
2"	2.13	1.34	6.56	3.44	82.19	400	3.71

**WARNING:** This product can expose you to chemicals including lead, which is known to the State of California to cause cancer and birth defects or other reproductive harm. For more information go to [www.p65warnings.ca.gov](http://www.p65warnings.ca.gov).

### Certifications



UL certified



HEALTH EFFECTS