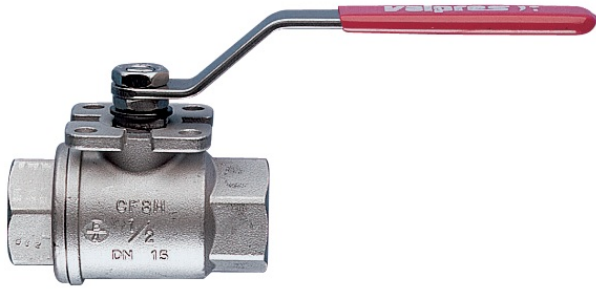


## 700001 STAINLESS STEEL BALL VALVE

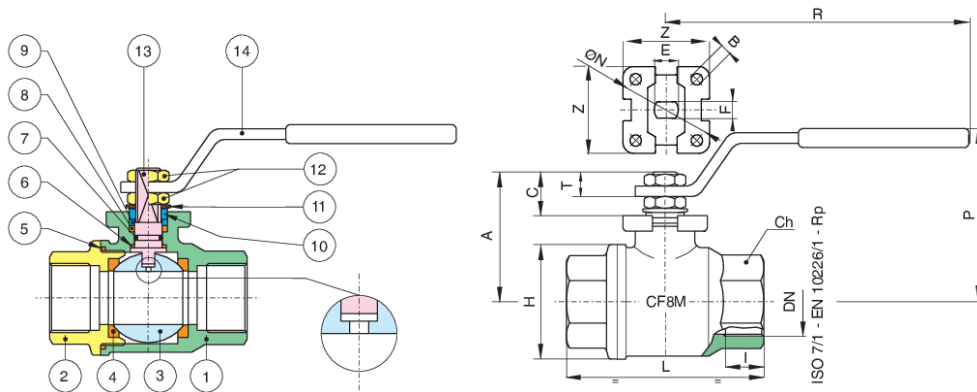


- 2-piece stainless steel FNPT threaded ball valve, full port.
- Pressure rating 2000 psi to 1/2", 1500 psi 3/4" to 1", 1000 psi 1 1/4" to 2", 350 psi 2 1/2" to 4", 150 psi steam.
  - Temperature range -4°F to +366°F.
  - Blow-out proof stem, adjustable stem packing.
  - PTFE seats, packing, and thrust washer.
  - ISO 5211 mounting pad and double "D" stem.
  - 100% electronically tested in the open and closed position at 80 psi.
  - TUV T.A. Luft approved.
  - ANSI B1.20.1 connections.
- 700001: size 1/8" to 4".  
700001LL: WITH LOCKING HANDLE - size 1/8" to 4".

COMPLIES WITH NACE MR 0175/ISO 15156 AND NACE MR 0103.



### Technical specifications



POSITION	PART NAME	MATERIAL	N.° PIECES
1	BODY	CF8M	1
2	END CONNECTION	CF8M	1
3	BALL	AISI 316-CF8M	1
4	BALL SEAT	PTFE	2
5	SEAT	PTFE	1
6	THRUST WASHER	PTFE	1
7	O-RING	FKM	1
8	STEM SEAT	PTFE	1
9	PACKING GLAND	INOX AISI 303 (1/8"-2")	1
9	PACKING GLAND	STEEL (2 1/2"-4")	1
10	END STOP	INOX AISI 430 (1/8"-2")	2
10	END STOP	STEEL (2 1/2"-4")	1
11	SPRING WASHER	STEEL (2 1/2"-4")	2
12	NUT	INOX AISI 304 (1-3"-2")	1
12	NUT	STEEL (2 1/2"-4")	1
13	STEM	AISI 316	1
14	HANDLE	INOX AISI 430 (1/8"-2")	1
14	HANDLE	STEEL (2 1/2"-4")	1

SIZE	I	L	H	CH	R	P	A	C	T	E	F	ØN ISO 5211	B	Z	CV	PSI	WEIGHT LBS
1/8"	0.29	2.18	1.18	0.86	4.35	1.96	1.37	0.53	0.35	0.31	0.19	F03	0.21	1.41	5.8	2000	0.67
1/4"	0.43	2.18	1.18	0.86	4.35	1.96	1.37	0.53	0.35	0.31	0.19	F03	0.21	1.41	6.36	2000	0.63
3/8"	0.44	2.18	1.18	0.86	4.35	1.96	1.37	0.53	0.35	0.31	0.19	F03	0.21	1.41	9.83	2000	0.6
1/2"	0.59	2.59	1.41	1.06	4.35	2.08	1.49	0.53	0.35	0.31	0.19	F03	0.21	1.41	22.21	2000	0.8
3/4"	0.64	3.11	1.77	1.25	5.17	2.67	2	0.59	0.39	0.39	0.27	F04	0.21	1.65	40.5	1500	1.46
1"	0.77	3.66	2.12	1.61	6.88	3.11	2.36	0.76	0.49	0.47	0.31	F04	0.21	1.65	74.63	1500	2.25
1 1/4"	0.84	3.93	2.51	1.96	6.88	3.28	2.53	0.76	0.49	0.47	0.31	F04	0.21	1.65	120.1	1000	3.09
1 1/2"	0.84	4.33	3.14	2.16	9.84	3.93	3.11	0.94	0.64	0.62	0.39	F05	0.25	1.96	201.32	1000	5.29
2"	1.01	5.15	3.74	2.75	9.84	4.21	3.38	0.94	0.64	0.62	0.39	F05	0.25	1.96	348.6	1000	7.91
2 1/2"	1.18	6.25	4.8	3.54	12.65	5	4.09	1.12	0.72	0.78	0.55	F07	M8	2.51	631.37	350	15.45
3"	1.31	7.28	5.66	4.13	12.65	5.41	4.48	1.1	0.7	0.78	0.55	F07	M8	2.51	1009.48	350	23.34
4"	1.54	8.74	6.96	5.11	15.01	6.16	5.39	1.35	0.86	0.94	0.7	F10	M10	3.62	1577.34	350	41.41

## Certifications

SIL 3



TUV



ATEX FIRE-SAFE (On request)