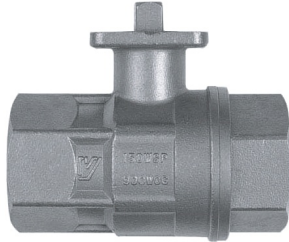


## 700076

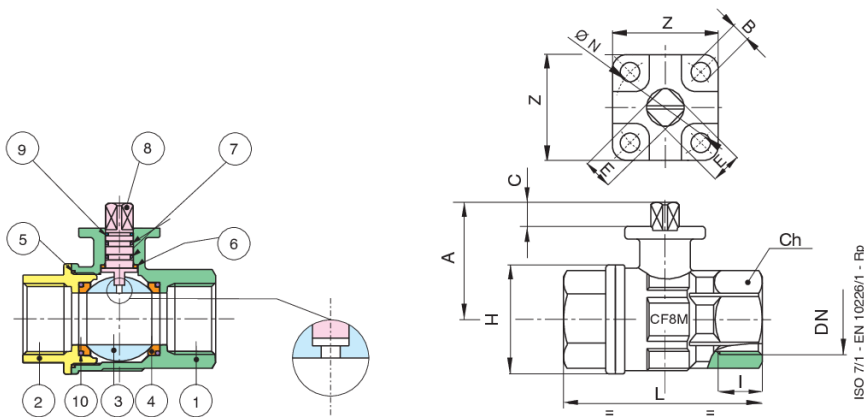
### STAINLESS STEEL DIRECT MOUNT BALL VALVE



- 2-piece stainless steel FNPT threaded, direct mount ball valve, full port.
- Pressure rating: 1000 psi 1/4" to 2", 800 psi 2 1/2" to 3", 150 psi steam.
  - Temperature -4°F to +366°F.
  - NSF 61, 372 certified.
  - Blow-out proof stem.
  - PTFE seats with O-ring backing for low operating torque.
  - PTFE seals and double O-ring stem packing.
  - 100% electronically tested in the open and closed position at 80 psi.
  - ISO 5211 mounting pad.
  - ANSI B1.20.1 connections
- 700076: size 1/4" to 3".

COMPLIES WITH NACE MR 0175/ISO 15156 AND NACE MR 0103.

### Technical specifications



| POSITION | PART NAME        | MATERIAL        | N.° PIECES |
|----------|------------------|-----------------|------------|
| 1        | BODY             | CF8M            | 1          |
| 2        | END CONNECTION   | CF8M            | 1          |
| 3        | BALL             | AISI 316 (CF8M) | 1          |
| 4        | BALL SEAT        | PTFE            | 2          |
| 5        | SEAT             | PTFE            | 1          |
| 6        | THRUST WASHER    | PTFE            | 1          |
| 7        | O-RING           | FKM             | 2          |
| 8        | STEM             | AISI 316        | 1          |
| 9        | STEM SEAT        | PTFE            | 1          |
| 10       | O-RING (1/2"-2") | FKM             | 2          |

| SIZE   | I    | L    | H    | CH   | A    | C    | E MM | ISO 5211         | B    | Z    | CV      | PSI  | WEIGHT LBS | TORQUE IN-LBS* |
|--------|------|------|------|------|------|------|------|------------------|------|------|---------|------|------------|----------------|
| 1/4"   | 0.59 | 2.56 | 1.44 | 1.02 | 1.78 | 0.26 | 9    | F03/F041.42-1.65 | 0.24 | 1.65 | 7.91    | 1000 | 0.95       | 60             |
| 3/8"   | 0.59 | 2.56 | 1.44 | 1.02 | 1.78 | 0.26 | 9    | F03/F041.42-1.65 | 0.24 | 1.65 | 10.22   | 1000 | 0.89       | 60             |
| 1/2"   | 0.59 | 2.63 | 1.35 | 1.06 | 1.63 | 0.35 | 9    | 1.42(ISO F03)    | 0.23 | 1.49 | 22.21   | 1000 | 0.68       | 53.1           |
| 3/4"   | 0.64 | 3.07 | 1.65 | 1.25 | 1.71 | 0.35 | 9    | 1.42 (ISO F03)   | 0.23 | 1.49 | 40.5    | 1000 | 0.91       | 53.1           |
| 1"     | 0.75 | 3.54 | 2.02 | 1.61 | 2.1  | 0.35 | 9    | 1.42 (ISO F03)   | 0.23 | 1.49 | 74.63   | 1000 | 1.35       | 53.1           |
| 1 1/4" | 0.84 | 3.93 | 2.53 | 1.96 | 2.24 | 0.35 | 9    | 1.42 (ISO F03)   | 0.23 | 1.49 | 120.1   | 1000 | 2.22       | 53.1           |
| 1 1/2" | 0.84 | 4.4  | 3.03 | 2.16 | 2.91 | 0.43 | 11   | 1.97 (ISO F05)   | 0.27 | 1.96 | 201.32  | 1000 | 3.69       | 150.46         |
| 2"     | 1.01 | 5.31 | 3.81 | 2.75 | 3.27 | 0.43 | 11   | 1.97 (ISO F05)   | 0.27 | 1.96 | 348.6   | 1000 | 6.49       | 150.46         |
| 2 1/2" | 1.19 | 6.3  | 4.88 | 3.43 | 4.37 | 0.55 | 14   | 2.76 (ISO F07)   | 0.35 | 2.52 | 633     | 800  | 13.36      | 274            |
| 3"     | 1.31 | 7.09 | 5.71 | 4.13 | 4.72 | 0.55 | 14   | 2.76 (ISO F07)   | 0.35 | 2.52 | 1012.18 | 800  | 20.94      | 354            |

\*Torque values in the table are measured in laboratory tests under the following conditions:

TEMPERATURE: 68°F - PRESSURE: 0 psi - FLUID: PURIFIED WATER

# Certifications



UL certified

HEALTH  
EFFECTS  
M-GA-NSF372  
NSF61

HEALTH EFFECTS