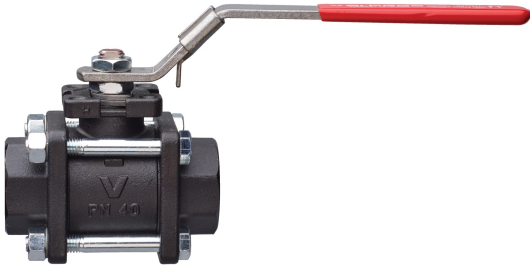


710065

CARBON STEEL 3-PC BALL VALVE FOR STEAM



3-piece carbon steel ball valve for steam, full port.

- Steam pressure to 250 psi.
- Temperature range: -4°F to 406°F.
- Blow-out proof stem, adjustable stem packing.
- ISO 5211 mounting pad with double "D" stem.
- 100% electronically tested in the open and closed position at 80 psi.
- TUV T.A. Luft approved.
- 25% carbon filled PTFE ball seats.
- Standard Latch Lock Handle.

710085: NPT THREADED - ANSI B1.20.1 CONNECTIONS - size 1/4" to 4".

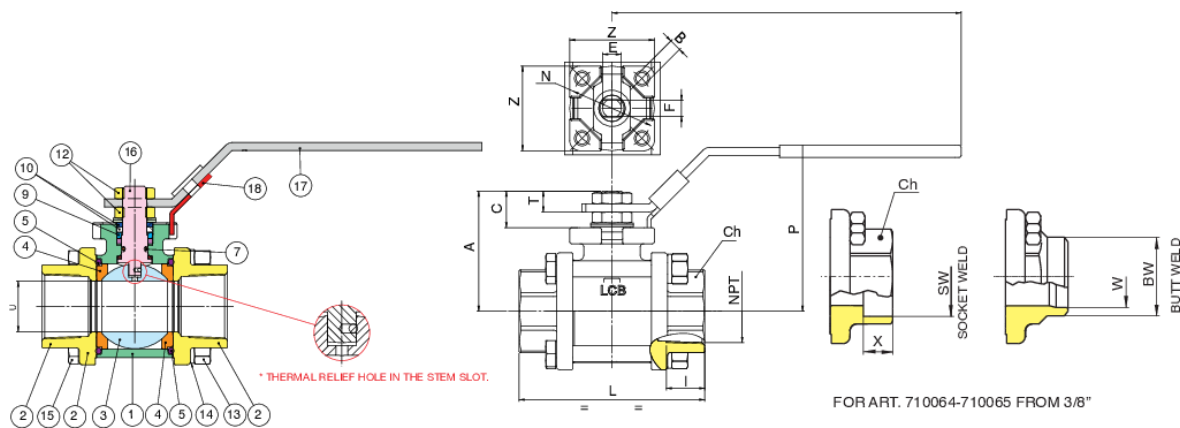
710064: SOCKET WELD - size 3/8" to 4".

710065: BUTT WELD - size 3/8" to 4".

* On request available with gas Antistatic Device.

COMPLIES WITH NACE MR 0175/ISO 15156 AND NACE MR 0103.

Technical specifications



| POSITION | PART NAME | MATERIAL | N.° PIECES |
|----------|----------------|--------------------------------------|------------|
| 1 | BODY | A352/LCB | 1 |
| 2 | END CONNECTION | A352/LCB | 2 |
| 3 | BALL | A479-TP316/ A351-CF8 | 1 |
| 4 | BALL SEAT | RPTFE | 2 |
| 5 | O-RING | FKM-PEROX | 2 |
| 6 | STEM SEAL | RPTFE | 1 |
| 7 | O-RING | FKM-PEROX | 1 |
| 8 | STEM SEAL | PTFE | 1 |
| 9 | PACKING GLAND | STEEL | 1 |
| 10 | END STOP | AISI 430 (1/8"-2") STEEL (2 1/2"-4") | 2 |
| 11 | SPRING WASHER | CARBON STEEL | 2 |
| 12 | NUT | STEEL | 2 |
| 13 | BOLT | STEEL (1/4"-2") | 4 |
| 13 | BOLT | STEEL (2 1/2"-4") | 6 |
| 14 | WASHER | STEEL (1/4"-2") | 4 |
| 14 | WASHER | STEEL (2 1/2"-4") | 6 |
| 15 | NUT | STEEL (1/4"-2") | 4 |
| 15 | NUT | STEEL (2 1/2"-4") | 6 |
| 16 | STEM | A479-TP304 | 1 |
| 17 | HANDLE | AISI 430 | 1 |
| 18 | LOCKING HANDLE | AISI 430 | 1 |

| SIZE | U | I | SW | X | BW | W | L | CH | R | P | A | C | T | E | F | ISO 5211 | B | CV | PSI | WEIGHT LBS |
|--------|------|------|------|------|------|------|------|------|-------|------|------|------|------|------|------|----------|------|---------|-----|------------|
| 3/8" | 0.39 | 0.45 | 0.72 | 0.37 | 0.67 | 0.49 | 2.24 | 0.87 | 4.33 | 1.97 | 1.38 | 0.53 | 0.35 | 0.31 | 0.2 | - | - | 9.88 | 250 | 0.63 |
| 1/2" | 0.59 | 0.59 | 0.88 | 0.37 | 0.84 | 0.62 | 2.56 | 1.06 | 5.16 | 2.52 | 1.85 | 0.59 | 0.39 | 0.39 | 0.28 | F03 | 0.24 | 22.33 | 250 | 1.13 |
| 3/4" | 0.79 | 0.64 | 1.09 | 0.44 | 1.05 | 0.83 | 2.99 | 1.26 | 5.16 | 2.68 | 2.05 | 0.63 | 0.39 | 0.39 | 0.28 | F04 | 0.22 | 40.7 | 250 | 1.57 |
| 1" | 0.98 | 0.75 | 1.36 | 0.5 | 1.31 | 1.05 | 3.62 | 1.61 | 6.85 | 3.11 | 2.36 | 0.77 | 0.49 | 0.47 | 0.31 | F04 | 0.24 | 75 | 250 | 2.64 |
| 1 1/4" | 1.26 | 0.84 | 1.7 | 0.56 | 1.66 | 1.38 | 4.17 | 1.97 | 6.85 | 3.27 | 2.52 | 0.77 | 0.49 | 0.47 | 0.31 | F04 | 0.22 | 120.7 | 250 | 3.75 |
| 1 1/2" | 1.57 | 0.84 | 1.95 | 0.63 | 1.9 | 1.61 | 4.57 | 2.17 | 9.84 | 3.94 | 3.11 | 0.94 | 0.65 | 0.63 | 0.39 | F05 | 0.26 | 202.33 | 250 | 5.62 |
| 2" | 1.97 | 1.01 | 2.44 | 0.69 | 2.37 | 2.07 | 5.35 | 2.76 | 9.84 | 4.21 | 3.39 | 0.94 | 0.65 | 0.63 | 0.39 | F05 | 0.26 | 350.35 | 250 | 8.71 |
| 2 1/2" | 2.56 | 1.19 | 3.01 | 0.79 | 2.87 | 2.47 | 6.02 | 3.54 | 12.64 | 4.96 | 4.06 | 1.1 | 0.71 | 0.79 | 0.55 | F07 | M8 | 634.53 | 250 | 18.09 |
| 3" | 3.15 | 1.31 | 3.52 | 0.79 | 3.5 | 3.07 | 7.09 | 4.13 | 12.64 | 5.39 | 4.49 | 1.1 | 0.71 | 0.79 | 0.55 | F07 | M8 | 1014.53 | 250 | 28.34 |
| 4" | 3.94 | 1.55 | 4.53 | 0.79 | 4.5 | 4.03 | 8.54 | 5.11 | 15 | 6.14 | 5.39 | 1.36 | 0.87 | 0.94 | 0.71 | F10 | M10 | 1585.23 | 250 | 47.58 |