



## 770

### STAINLESS STEEL SANITARY BALL VALVE

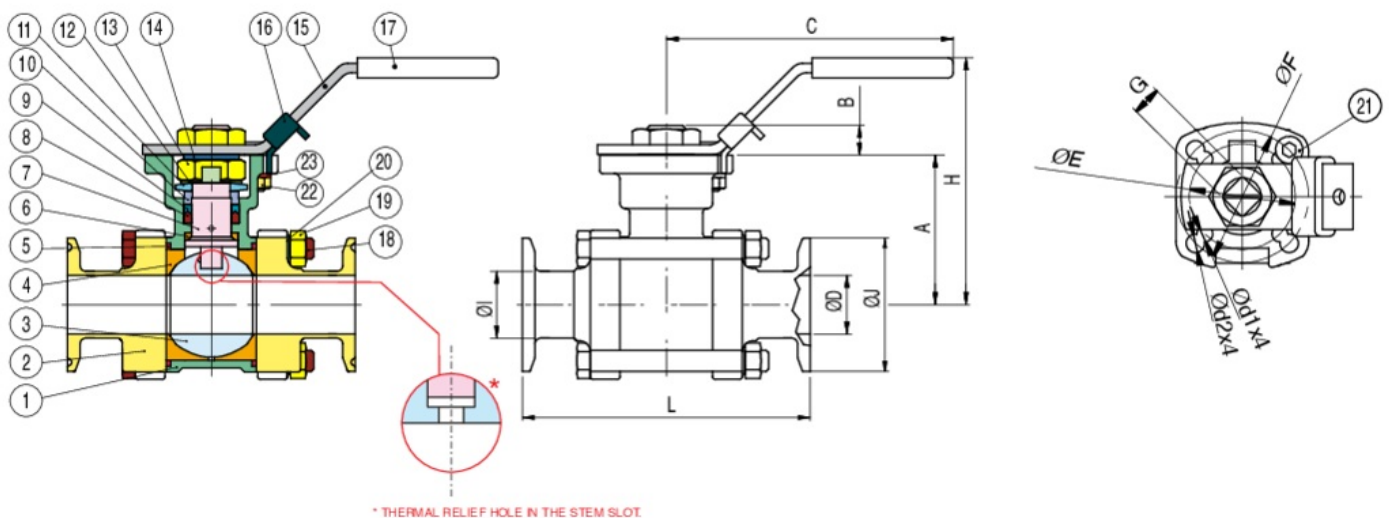
Stainless steel, 3-piece direct mount, sanitary full port ball valves with latch locking lever.

- ISO 5211 direct mount pad/square stem.
- Working pressure 1000 psi WOG (1/2" to 2") 800 psi WOG (2 1/2" to 4").
- Temperature range -20°F to 450°F.
- Blow-out proof stem.
- Antistatic Device.
- International polishing to Ra 15 micron.
- Tri-clamp style end connections.
- Ball valves comply with standards: ISO 5211, ANSI B 16.11, MSS SP-25, MSS SP-55.
- Maintenance free live loaded double sealing stem.
- Live loaded stem packing design.

770: NON-CAVITY FILLED - size 1/2" to 4".

771: CAVITY FILLED - size 1/2" to 4".

## Technical specifications



POSITION	PART NAME	MATERIAL	N.° PIECES
1	BODY	CF3M	1
2	END CONNECTION	CF3M	2
3	BALL	AISI 316L	1
4	SEATS	PTFE	2
5	JOINT GASKET	PTFE	2
6	STEM SEAL	RTFE	1
7	STEM	AISI 316L	1
8	GLAND PACKING	PTFE	2
9	GLAND PACKING	PTFE+GLASS	1
10	GLAND BUSH	AISI 304	1
11	BELLEVILLE WASHER	AISI 301	2
12	STOP WASHER	AISI 304	1
13	STEM NUT	AISI 304	2
14	STEM WASHER	AISI 304	1
15	HANDLE	AISI 304	1
16	LOCKING DEVICE	AISI 304	1
17	HANDLE SLEEVE	VINYL	1
18	BOLT	AISI 304	4
19	BOLT NUT	AISI 304	4
20	BOLT WASHER	AISI 304	4
21	STOP PIN	AISI 304	1
22	PIN NUT	AISI 304	1
23	WASHER	AISI 304	1

SIZE	ØD	ØI	ØJ	A	B	C	ØE	ØF	G MM	L	H	ØD1	ØD2	CV	PSI	ISO 5211	WEIGHT LBS
1/2"	0.37	0.5	0.99	1.65	0.25	5.47	1.41	1.65	9	3.5	3.03	0.23	0.23	14	1000	F03/F04	1.67
3/4"	0.62	0.74	0.99	1.88	0.27	5.47	1.41	1.65	9	4	3.26	0.23	0.23	45	1000	F03/F04	1.91
1"	0.87	1	1.98	2.22	0.44	6.49	1.65	1.96	11	4.5	3.77	0.23	0.27	81	1000	F04/F05	3.17
1 1/2"	1.37	1.5	1.98	3.05	0.55	8.46	1.96	2.75	14	5.51	5	0.29	0.35	215	1000	F05/F07	7.24
2"	1.87	2	2.51	3.35	0.55	8.46	1.96	2.75	14	6.25	5.27	0.29	0.35	410	1000	F05/F07	10.1
2 1/2"	2.37	2.5	3.04	4.27	0.67	11.81	2.75	4.01	17	6.85	6.57	0.39	0.47	618	800	F05/F07	21.8
3"	2.87	3	3.57	4.63	0.71	14.56	2.75	4.01	17	7.6	6.92	0.39	0.47	940	800	F05/F07	29
4"	3.83	4	4.68	5.21	0.67	14.56	2.75	4.01	17	8.89	7.55	0.39	0.47	1840	800	F05/F07	46.5
6"	3.83	5.12	6.57	12.85	4.37	13.78	4.02	4.92	22	12.93	6.89	0.53	0.44	C/F	600	F10/F12	155