

725002

STAINLESS STEEL WAFER BALL VALVE



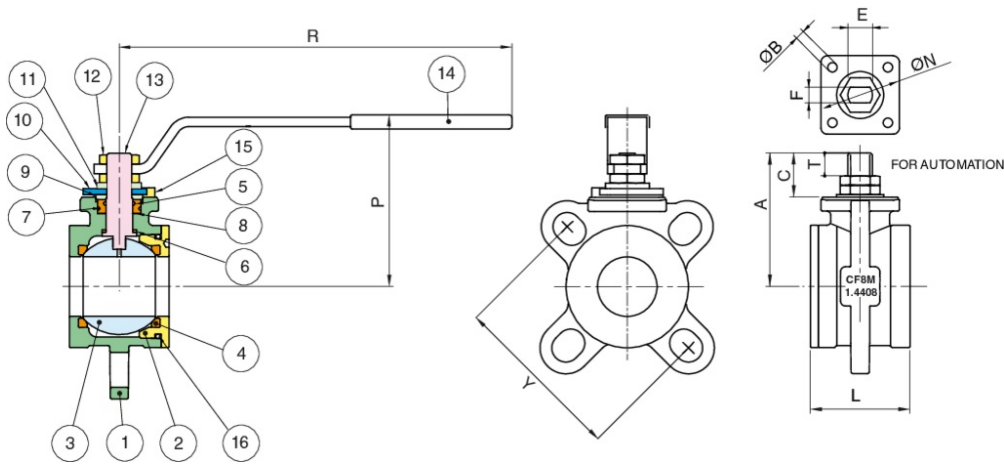
Stainless steel, ANSI class 150 flanged ball valve, full port.

- Temperature range -4°F to 406°F.
 - Blow-out proof stem.
 - RPTFE seats, packing and thrust washer.
 - Space saving design.
 - 100% tested.
 - TUV T.A. Luft approved.
 - Antistatic stem device.
 - Steam service trim (250 WSP).
 - ISO 5211 mounting pad with double “D” stem.
- 725002: size 1” to 4”.

FOR STEAM

COMPLIES WITH NACE MR 0175/ISO 15156 AND NACE MR 0103.

Technical specifications



POSITION	PART NAME	MATERIAL	N.° PIECES
1	BODY	A316	1
2	END CONNECTION	A479-316	1
3	BALL	A479-316/A351 CF8M	1
4	BALL SEAT	RPTFE	2
5	O-RING	FKM (VITON)	1
6	THRUST WASHER	PTFE	1
7	RING	FKM (VITON)	1
8	STEM SEAL	PTFE	1
9	PACKING GLAND	A479-316	1
10	END STOP	CARBON STEEL	1
11	SPRING WASHER	CARBON STEEL	2
12	NUT	CARBON STEEL	2
13	STEM	A479-316	1
14	HANDLE	CARBON STEEL	1
15	SCREW	CARBON STEEL	2
16	O-RING	FKM (VITON)	1

SIZE	Y	L	R	P	A	C	T	E	F	ISO 5211 0N	B	BREAK TORQUE (IN/LBS)	CV	WEIGHT LBS
1"	ANSI-150	1.81	6.85	3.58	2.81	0.9	0.41	M12	0.31	1.65 (F04)	4xM5	124	74.63	2.86
1 1/4"	ANSI-150	2.12	6.85	3.74	2.95	0.9	0.41	M12	0.31	1.65 (F04)	4xM5	150	120.1	3.64
1 1/2"	ANSI-150	2.5	9.84	4.33	3.34	1.1	0.59	M16	0.39	1.96 (F05)	4xM16	195	201.32	4.74
2"	ANSI-150	3.23	9.84	4.68	3.68	1.1	0.59	M16	0.39	1.96 (F5)	4xM6	292	348.6	8.27
2 1/2"	ANSI-150	4.05	12.63	5.7	4.78	1.31	0.7	M20	0.55	2.76 (F07)	4xM8	540	631.37	16.2
3"	ANSI-150	4.8	12.63	6.06	5.15	1.31	0.7	M20	0.55	2.76 (F07)	4xM8	637	1009.48	22.71
4"	ANSI-150	5.6	12.63	6.57	5.67	1.31	0.7	M20	0.55	2.76 (F07)	4xM8	956	1577.34	35.28

