



## 766000

### STAINLESS STEEL DIRECT MOUNT BALL VALVE

Stainless steel, ANSI class 150 flanged ball valve, full port, with locking handle.

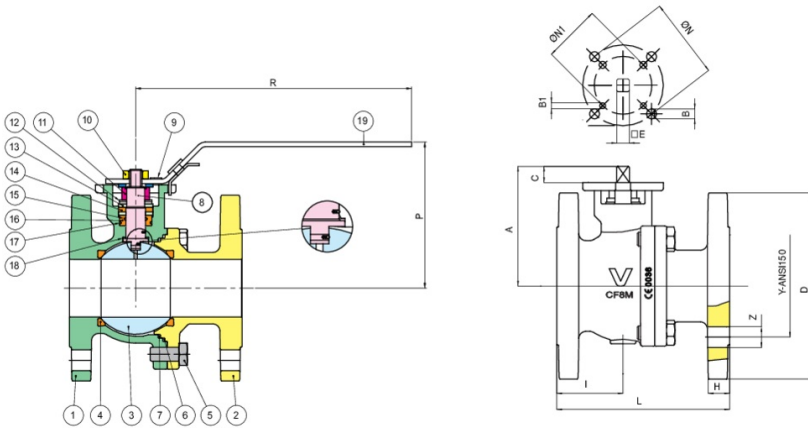
- Direct mount ISO 5211/square stem.
- Temperature range -4°F to 366°F.
- Blow-out proof stem, adjustable stem packing.
- PTFE seats, packing and thrust washer and FKM Viton® O-rings.
- Fire safe certified to API 607.
- 100% tested.
- ANSI B16.5, B16.10, B16.34 design.
- Antistatic Device.
- Standard locking handle.

766000: size 1" to 4".

COMPLIES WITH NACE MR 0175/ISO 15156 AND NACE MR 0103.



## Technical specifications



| POSITION | PART NAME      | MATERIAL          | N.° PIECES |
|----------|----------------|-------------------|------------|
| 1        | BODY           | A351/CF8M         | 1          |
| 2        | END CONNECTION | A351/CF8M         | 1          |
| 3        | BALL           | A479-304/A351-CF8 | 1          |
| 4        | BALL SEAT      | PTFE              | 2          |
| 5        | SCREW          | STAINLESS STEEL   | 4          |
| 6        | BODY SEAL      | GRAPHOIL          | 1          |
| 7        | BODY SEAL      | PTFE              | 1          |
| 8        | STEM           | A479-304          | 1          |
| 9        | SCREW          | STAINLESS STEEL   | 1          |
| 10       | NUT            | STAINLESS STEEL   | 1          |
| 11       | NUT            | STAINLESS STEEL   | 1          |
| 12       | SPRING WASHER  | STAINLESS STEEL   | 2          |
| 13       | BUSH           | A479-316          | 2          |
| 14       | STEM SEAL      | GRAPHOIL          | 1          |
| 15       | O-RING         | FKM (VITON)       | 1          |
| 16       | STEM SEAL      | PTFE              | 1          |
| 17       | O-RING         | FKM (VITON)       | 1          |
| 18       | THRUST WASHER  | PTFE              | 1          |
| 19       | HANDLE         | STAINLESS STEEL   | 1          |

| SIZE   | D    | Y    | Z       | H    | I    | L    | P    | R     | A    | C    | EMM | ØN       | B    | ISO 5211 | B1  | BREAK TORQUE (IN/LBS) | CV      | WEIGHT LBS |
|--------|------|------|---------|------|------|------|------|-------|------|------|-----|----------|------|----------|-----|-----------------------|---------|------------|
| 1"     | 4.33 | 3.13 | 4XØ0.63 | 0.57 | 2.13 | 5    | 3.66 | 6.3   | 2.72 | 0.43 | 9   | 1.97-F05 | 0.28 | -        | -   | 124                   | 74.63   | 8.38       |
| 1 1/2" | 5.12 | 3.88 | 4XØ0.63 | 0.69 | 2.99 | 6.5  | 4.65 | 9.45  | 3.7  | 0.55 | 11  | 2.76-F07 | 0.33 | 1.97     | M6  | 195                   | 201.32  | 15.43      |
| 2 1-2" | 7.08 | 5.50 | 4XØ0.75 | 0.91 | 2.95 | 7.48 | 6.06 | 12.60 | 5.06 | 0.69 | 14  | 2.76-F07 | 0.33 | 2.76-F07 | M6  | 465                   | 630.82  | 33.95      |
| 2"     | 5.91 | 4.04 | 4XØ0.75 | 0.77 | 3.33 | 7.01 | 5    | 9.45  | 4.06 | 0.53 | 11  | 2.76-F07 | 0.33 | 1.97-F05 | M6  | 292                   | 348.6   | 21.16      |
| 3"     | 7.48 | 6    | 4XØ0.75 | 0.94 | 3.66 | 7.99 | 6.38 | 12.6  | 5.41 | 0.69 | 14  | 4.02-F10 | 0.43 | 2.76-F07 | M10 | 637                   | 1009.48 | 39.45      |
| 4"     | 9.06 | 7.5  | 8XØ0.75 | 0.94 | 3.92 | 9.02 | 6.97 | 14.96 | 6.04 | 0.75 | 17  | 4.02-F10 | 0.43 | 2.76-F07 | M10 | 956                   | 1577.34 | 53.56      |