

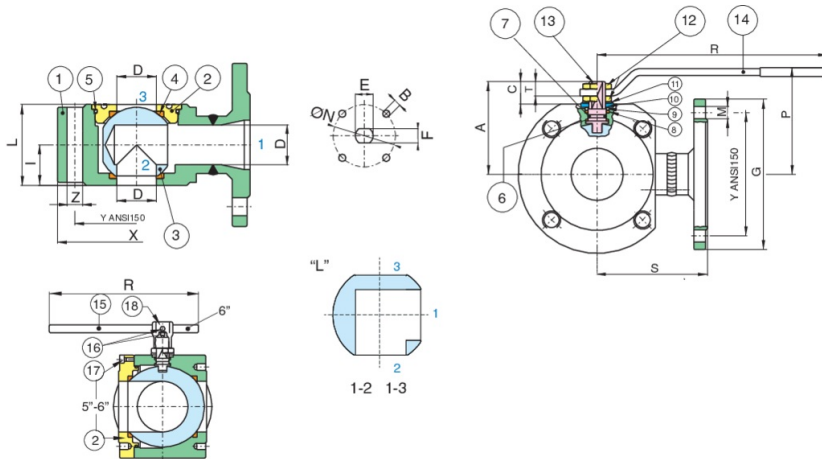


776032 (L) CARBON STEEL 3-WAY BALL VALVE

Compact design, carbon steel, ANSI class 150 flanged 3-way ball valve. stainless steel ball and stem.

- 3-way, diverter, two seats, L reduced port.
 - Temperature range -4°F to 366°F.
 - Blow-out proof stem.
 - RPTFE seats, packing and thrust washer.
 - 100% tested.
 - TUV T.A. Luft approved.
 - ISO 5211 mounting pad with double "D" stem.
- 776032: sizes 1/2" to 6".

Technical specifications



POSITION	PART NAME	MATERIAL	N.° PIECES
1	BODY	ASTM A105	1
2	END CONNECTION	ASTM A105	1
3	BALL	AISI 304	1
4	BALL SEATS	RPTFE	2
5	O-RING	FKM (VITON)	1
6	THRUST WASHER	PTFE	1
7	O-RING	FKM (VITON)	1
8	STEM SEAL	PTFE	1
9	PACKING GLAND	STEEL	1
10	END STOP	STEEL (1/2"-2") STEEL (2 1/2"-6")	2
11	SPRING WASHER	STEEL	2
12	NUT	STEEL	2
13	STEM	AISI 304	1
14	HANDLE	STEEL	1
15	HANDLE DN 150	CARBON STEEL	1
16	SCREW	CARBON STEEL	1
17	SCREW	CARBON STEEL	8
18	BODY HANDLE	EN-GJL250	1

SIZE	X	Y	Z UNC	I	L	R	P	A	C	T	G	M	D	S	E	F	ISO 5211 ØN	B	BREAK TORQUE (IN/LBS)	CV	WEIGHT LBS
1/2"	3.5	2.38	4x1/2"	0.78	1.57	5.17	2.54	1.85	0.61	0.35	3.5	4xØ0.62	0.39	2.99	0.39	0.27	1.26	4xM5	35	3.2	4.91
3/4"	3.88	2.75	4x1/2"	0.78	1.57	5.17	2.71	1.95	0.53	0.35	3.88	4xØ0.62	0.59	3.23	0.39	0.27	1.26	4xM5	115	6	6.3
1"	4.25	3.12	4x1/2"	0.9	1.81	6.87	3.17	2.32	0.7	0.49	4.25	4xØ0.62	0.78	3.38	0.47	0.31	1.65-F04	4xM5	124	10.6	8.57
1 1/4"	4.62	3.5	4x1/2"	1.14	2.28	6.87	3.33	2.52	0.61	0.45	4.62	4xØ0.62	0.98	3.93	0.47	0.31	1.65-F04	4xM5	150	16.6	13.69
1 1/2"	5	3.88	4x1/2"	1.39	2.79	9.86	4.03	3.07	0.96	0.51	5	4xØ0.62	1.26	4.13	0.63	0.39	1.97-F05	4xM5	195	29.9	18.73
2"	6	4.75	4x5/8"	1.61	3.22	9.86	4.29	3.35	0.98	0.53	6	4xØ0.75	1.57	4.52	0.63	0.39	1.97-F05	4xM6	292	46.7	27.05
2 1/2"	7	5.5	4x5/8"	2.08	4.17	12.65	4.29	4.11	1.1	0.71	7	4xØ0.75	1.97	4.92	0.78	0.55	2.76-F07	4xM8	540	73.1	44.1
3"	7.5	6	4x5/8"	2.4	4.8	12.65	5.37	4.45	1.1	0.71	7.5	4xØ0.75	2.52	5.9	0.78	0.55	2.76-F07	4xM8	637	133.9	53.66
4"	9	7.5	8x5/8"	2.99	5.98	15.01	6.12	5.35	1.36	0.86	9	8xØ0.75	2.99	6.26	0.94	0.7	4.02-F10	4xM10	956	188.7	84.76
5"	9.84	8.5	8x3/4"	3.85	7.7	15.02	7.01	6.25	1.36	0.86	10.03	8xØ0.86	3.93	7.48	0.94	0.72	4.92-F12	4xM10	1018	326.7	140
6"	11.08	9.5	8x3/4"	4.56	9.13	27.6	9.92	7.9	1.92	1.18	11.02	8xØ0.86	4.9	8.26	1.65	1.18	4.92-F12	4xM12	2903	510.5	220

* For automation please consult factory