

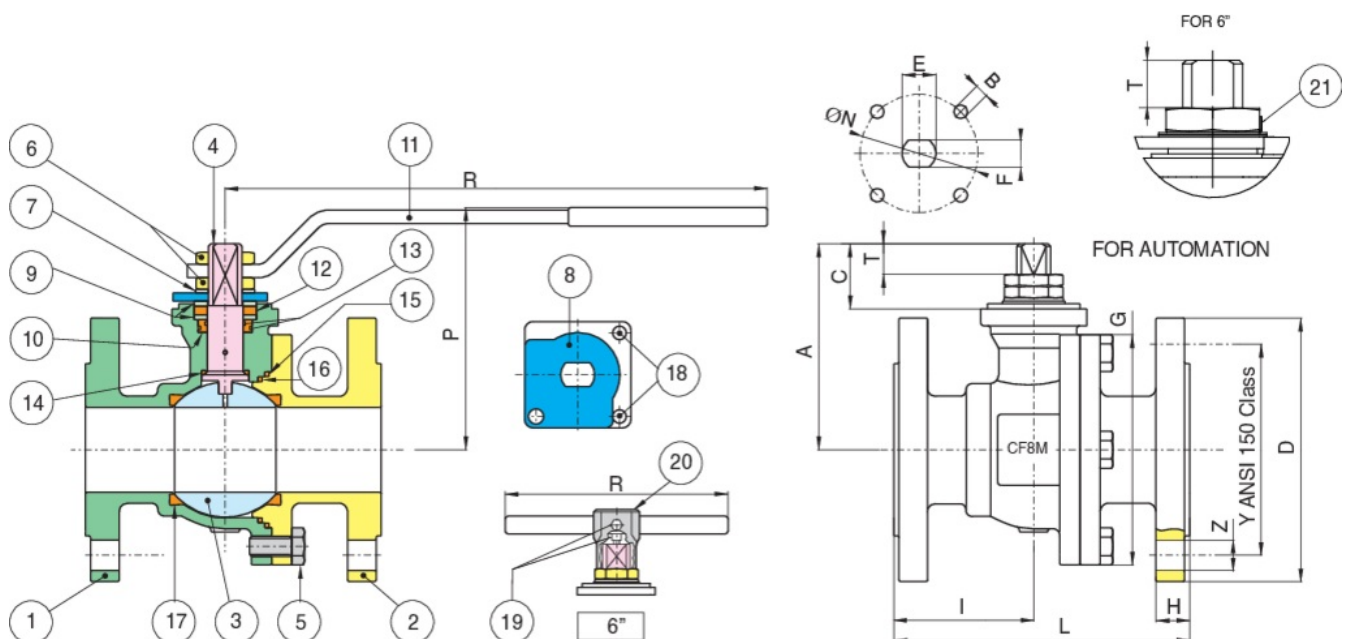
## 760021V36-V6-V9 STAINLESS STEEL V-BALL VALVE

Stainless steel, ANSI class 150 flanged ends V-ball valve 30-60, 60, 90 degrees V ports.

- Temperature range -4°F to 406°F.
  - Blow-out proof stem, adjustable stem packing.
  - RPTFE seats, packing and thrust washer.
  - Standard grounded stem and ball.
  - Thermal relief hole in the ball.
  - 100% tested.
  - PED 97/23/CE.
  - Locking handle plate.
  - ANSI B16.5, B16.10, B16.34 design.
  - Fire Safe API 6FA-API 607.
  - Antistatic Device.
  - ISO 5211 mounting pad and double "D" stem.
- 760021V36 - 760021V6 - 760021V9: size 1/2" to 6".

COMPLIES WITH NACE MR 0175/ISO 15156 AND NACE MR 0103.

### Technical specifications





POSITION	PART NAME	MATERIAL	N.° PIECES
1	BODY	A351 CF8M	1
2	END CONNECTION	A351 CF8M	1
3	BALL	A479-316/A351-CF8M	1
4	STEM	A479-316	1
5	SCREW	STAINLESS 1/2"....2" STEEL 3"....6"	4
6	NUT	STAINLESS 1/2"....4" STEEL 6"	2
7	SPRING WASHER	STAINLESS STEEL	2
8	TRAVEL STOP	STAINLESS STEEL	1
9	PACKING GLAND	STAINLESS STEEL	2
10	STEM SEAL	PTFE	1
11	HANDLE	STAINLESS STEEL	1
12	STEM SEAL	GRAPHOIL	1
13	O-RING	FKM (VITON)	2
14	THRUST WASHER	RPTFE	1
15	SEAL	GRAPHOIL	1
16	SEAL	PTFE	1
17	BALL SEATS	RPTFE	2
18	SCREW	STAINLESS STEEL	2
19	SCREW	STAINLESS STEEL	2
20	BODY HANDLE	CAST IRON	1
21	Unscrewing grower	A182-F316	1

SIZE	D	Y	Z	H	I	L	G	P	R	A	C	T	E	F	ISO 5211 ØN	B	WEIGHT LBS
1/2"	3.54	2.38	4xØ0.63	0.45	1.83	4.25	2.8	3.46	5.16	2.05	0.75	0.31	M10	0.28	1.65-F04	M5	4.21
3/4"	3.94	2.76	4xØ0.63	0.51	2.09	4.61	2.89	3.66	5.16	2.2	0.75	0.31	M10	0.28	1.65-F04	M5	5.36
1"	4.33	3.13	4xØ0.63	0.57	2.34	5	3.56	3.5	6.85	2.85	1.08	0.51	M12	0.31	1.97-F05	M6	8.15
1 1/2"	5.12	3.88	4xØ0.63	0.69	3.03	6.5	4.49	5.24	9.84	4.17	1.18	0.39	M16	0.39	1.97-F05	M6	15.65
2"	5.91	4.74	4xØ0.63	0.77	3.39	7.01	5.37	5.67	12.64	4.8	1.52	0.71	M20	0.55	2.76-F07	M8	23.8
3"	7.48	6	4xØ0.75	0.94	3.13	7.99	7.03	6.81	15	5.94	1.69	0.71	M24	0.71	4.02-F10	M10	47.61
4"	9.06	7.5	8xØ0.75	0.94	4.33	9.02	8.21	7.36	15	6.5	1.69	0.71	M24	0.71	4.02-F10	M10	67
6"	11.02	9.51	8xØ0.87	1	7.13	15.51	12.24	12.01	27.56	9.65	2.68	1.61	M42	1.18	4.92-F12	M12	171.91