

VF300-600-900

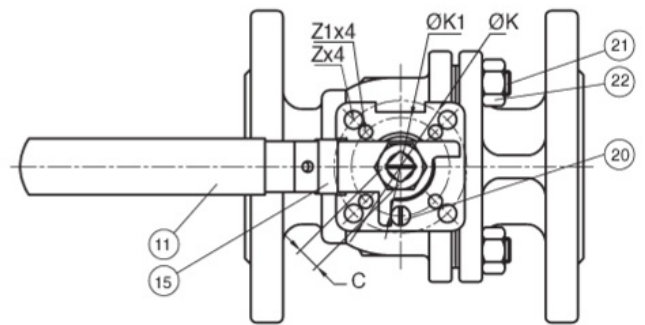
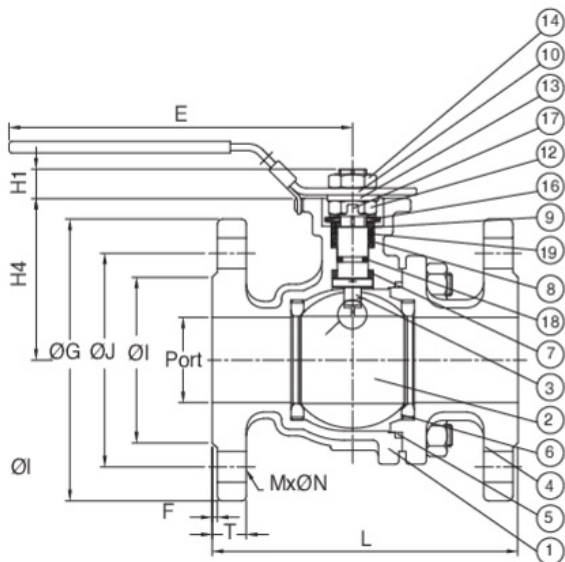
STAINLESS STEEL V-BALL VALVE

Stainless steel, ANSI class 150 flanged V-ball valve, 30, 60, 90 degrees V ports.

- Temperature range -18°F to 392°F.
- ISO 5211 mounting pad.
- Locking handle standard.
- ANSI 16.5, 16.10, and 16.34.
- Antistatic design.
- Blowout proof stem and carbon filled PTFE ball seats.
- Thermal relief hole in the ball.
- Direct mount ISO 5211.
- Latch locking handle.

VF300 - VF600 - VF900: size 1/2" to 6".

Technical specifications





POSITION	PART NAME	MATERIAL	N.° PIECES
1	BODY	ASTM A351 GR. CF8M	1
2	BALL	ASTM A351 GR. CF8M	1
3	STEM	AISI 316	1
4	END CAP	ASTM A351 GR. CF8M	2
5	BODY SEAL	PTFE	1
6	SEAT	CARBON GRAPHITE FILLED PTFE	2
7	THRUST WASHER	PTFE	1
8	STEM PACKING	PTFE	1
9	GLAND	AISI 304	1
10	HANDLE	AISI 304	1
11	HANDLE COVER	PLASTIC	1
12	STEM NUT	AISI 304	1
13	HANDLE WASHER	AISI 304	1
14	HANDLE NUT	AISI 304	1
15	LOCKING PAD	AISI 304	1
16	BELLEVILLE WASHER	AISI 304	2
17	TAB WASHER	AISI 304	1
18	O-RING	FKM (VITON)	1
19	PACKING FOLLOWER	PTFE +25% GF	1
20	STOP PIN	AISI 304	1
21	BODY STUD	ASTM A193 GR.B8	4-8
22	BOLT NUT	ASTM A194 GR.8	4-8

SIZE	PORT	L	E	H1	H4	C MM	ØG	ØJ	ØI	T	F	M	ØN	ISO 5211	Z	Z1	BREAK TORQUE IN-LBS	WEIGHT LBS
1/2"	0.59	4.25	4.41	0.33	1.89	9	3.5	2.38	1.38	0.44	0.06	4	0.63	F05-F03	7.0	6.0	62	3.9
3/4"	0.79	4.61	4.41	0.33	2.44	9	3.88	2.76	1.69	0.5	0.06	4	0.63	F05-F03	7.0	6.0	106	4.9
1"	0.98	5	5.35	0.37	2.52	9	4.25	3.12	2.01	0.56	0.06	4	0.63	F05-F03	7.0	6.0	177	6.8
1 1/4"	1.26	5.51	7.28	0.37	2.8	9	4.63	3.5	2.5	0.63	0.06	4	0.63	F05-F03	7.0	6.0	224	9.2
1 1/2"	1.5	6.5	7.8	0.55	2.99	14	5	3.88	2.88	0.69	0.06	4	0.63	F07-F05	9.0	7.0	371	13.3
2"	1.97	7.01	7.8	0.54	3.33	14	6	4.75	3.62	0.75	0.06	4	0.75	F07-F05	9.0	7.0	486	19.2
2 1/2"	2.52	7.48	10.34	0.71	4.2	17	7	5.5	4.12	0.92	0.06	4	0.75	F10-F07	11.0	9.0	840	24.8
3"	2.99	7.99	10.34	0.71	4.57	17	7.5	6	5	0.94	0.06	4	0.75	F10-F07	11.0	9.0	1250	41
4"	3.94	9.02	12.8	0.71	6.08	17	9	7.5	6.19	0.94	0.06	4	0.75	F10-F07	11.0	9.0	1860	57
6"	5.91	15.51	29.53	1.18	8.39	27	11	9.5	8.5	1	0.06	8	0.88	F12	0.55	n/a	2310	168