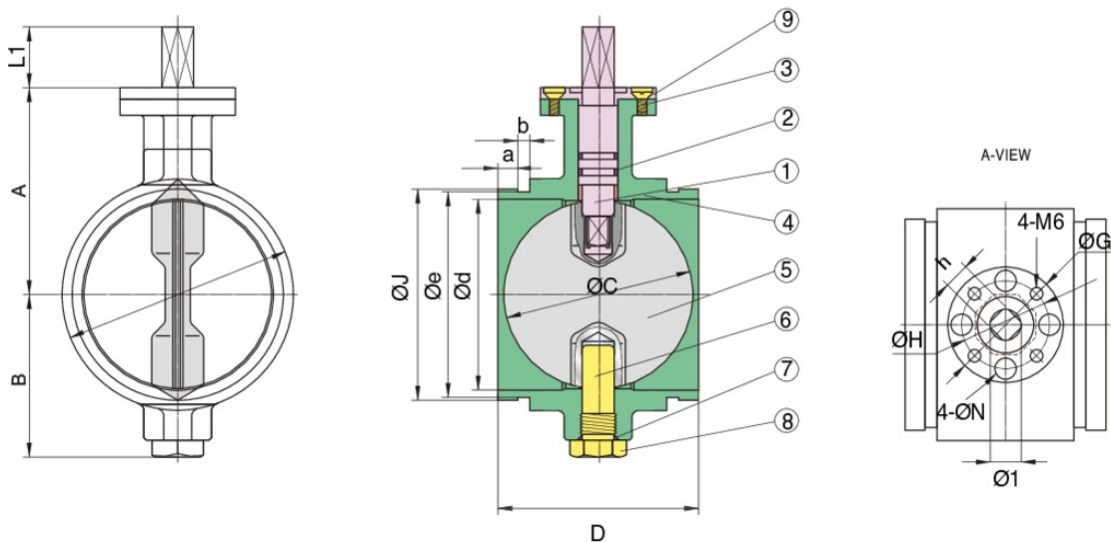


L700E - G700E GROOVED END

Direct mount grooved end butterfly valve.

- Temperature range -30°F to 250°F.
 - Working pressure 300 psi.
 - EPDM coated disc.
 - Face to face MSS-SP-67.
 - Ends meet ANSI AWWA C606.
 - Epoxy coated ductile iron body.
 - ISO 5211 direct mounting pad/square stem.
 - May contain silicon.
- L700: size 2" to 12".

Technical specifications



POSITION	PART NAME	MATERIAL	N.º PIECES
1	UPPER SHAFT	ASTM A276 SS410	1
2	STOP COVER	STEEL	1
3	BOLTS	STEEL	4
4	BODY	A536 65-45-12	1
5	DISC	EPDM	1
6	LOWER SHAFT	ASTM A276 SS410	1
7	SCREW END	CARBON STEEL	1
8	O-RING	NBR	1
9	BOLTS	CARBON STEEL	4

SIZE	A	B	ØC	D	ØJ	ØG	ØH	ØN	L1	A	B	E	D	ØK	H	Ø1	ISO 5211	CV	BREAK TORQUE	WEIGHT LBS
10"	8.98	7.87	11.18	6.25	10.75	4.92	4.02	0.47	1.61	0.75	0.5	10.56	9.84	11.3	22	1.12	F10	5340	4205	54.4
12"	10.48	8.82	13.19	6.44	12.75	4.92	4.02	0.47	1.61	0.75	0.5	12.53	11.81	13.31	22	1.12	F10	8250	5532	76
2"	3.94	2.76	2.64	3.24	2.37	3.54	2.76	0.35	1.26	0.63	0.31	2.25	1.91	2.76	9	0.48	F05	135	124	3.9
2 1/2"	4.17	2.95	3.15	3.81	2.87	3.54	2.76	0.35	1.26	0.63	0.31	2.72	2.4	3.27	9	0.48	F05	220	204	4.8
3"	4.43	3.23	3.82	3.81	3.5	3.54	2.76	0.35	1.26	0.63	0.31	3.34	2.95	3.94	9	0.48	F05	302	425	5.9
4"	5.31	3.94	4.84	4.57	4.5	3.54	2.76	0.35	1.26	0.63	0.38	4.33	3.82	4.96	11	0.56	F07	600	496	9.9
5"	5.85	4.69	5.94	5.81	5.56	3.54	2.76	0.35	1.26	0.63	0.38	5.39	4.92	6.06	14	0.72	F07	1022	775	16.7
6"	6.93	5.12	7.09	5.81	6.63	3.54	2.76	0.35	1.26	0.63	0.38	6.46	5.87	7.2	14	0.72	F07	1579	1213	21.1
8"	8.03	6.38	9.09	5.25	8.63	4.92	4.02	0.47	1.61	0.75	0.44	8.44	7.83	9.21	17	0.87	F10	3136	2434	32.4

WARNING: This product can expose you to chemicals including lead, which is known to the State of California to cause cancer and birth defects or other reproductive harm. For more information go to www.p65warnings.ca.gov.