



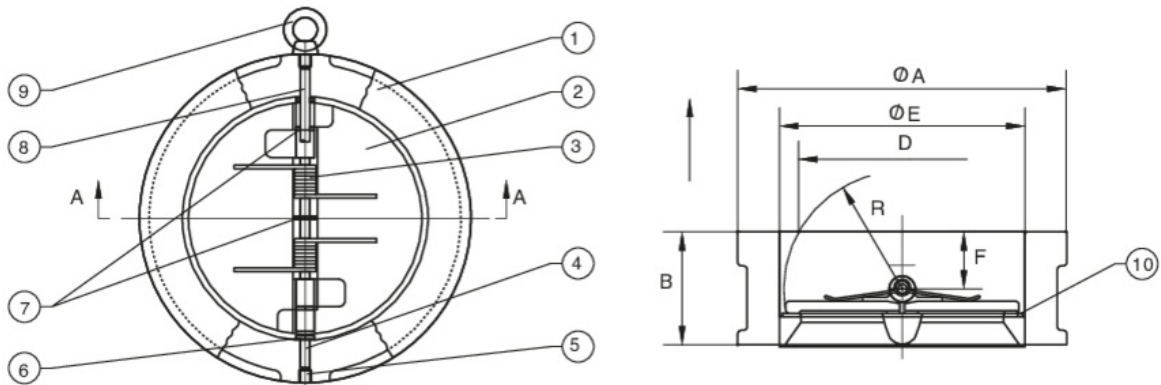
## NCI150E CHECK VALVE

Double door wafer style check valve.

- Ductile iron body.
- Stainless steel dual disc.
- Stainless steel spring loaded.
- Pressure rating 200 psi.
- Temperature range -30°F to 250°F (EPDM seats).
- Epoxy coated body.
- Food grade EPDM or Viton seat options.
- Can be used with ANSI 125 or 150 flanges.
- Light weight and compact.
- NSF certified for drinking water service (EPDM seats only).

NCI150E: size 2" to 12".

### Technical specifications



POSITION	PART NAME	MATERIAL	N.º PIECES
1	BODY	CAST IRON, DUCTILE IRON	1
2	PLATE	DUCTILE IRON+NI, CF8M	1
3	SPRING	STAINLESS STEEL	1
4	HINGE PIN	STAINLESS STEEL	1
5	PLUG	CARBON STEEL	1
6	BODY BEARING	PTFE	1
7	SPRING BEARING	PTFE	1
8	STOP PIN	STAINLESS STEEL	1
9	EYE BOLT	CARBON STEEL	1
10	BODY SEAT	EPDM, VITON	1

SIZE	ØA	B	D	ØE	F	R	CV	PSI	WEIGHT LBS
10"	13.2	4.49	9.2	10.43	1.96	4.99	2700	300	57.3
12"	15.9	4.49	11.18	12.2	1.69	5.83	4300	300	92.6
2"	4.01	1.69	1.7	2.56	0.74	1.13	70	300	3.3
2 1/2"	4.76	1.81	2.37	3.15	0.78	1.42	120	300	5.3
3"	5.23	2.52	2.61	3.7	1.1	1.7	190	300	7.9
4"	6.73	2.52	3.57	4.61	1.06	2.07	340	300	12.6
5"	7.59	2.76	4.6	5.71	1.18	2.58	590	300	16.1
6"	8.62	2.99	5.69	6.69	1.22	3.09	870	300	19.8
8"	10.8	3.5	7.8	8.82	1.29	4.11	1650	300	37.5

## Certifications



NSF

NSF/ANSI  
61.32  
EPDM SEATS  
ONLY

NSF-ANSI